

Barudan

HIGH SPEED AUTOMATIC EMBROIDERY MACHINE

MODEL **BEMR**
BESR
B E X

PARTS LIST

BARUDAN CO., LTD.

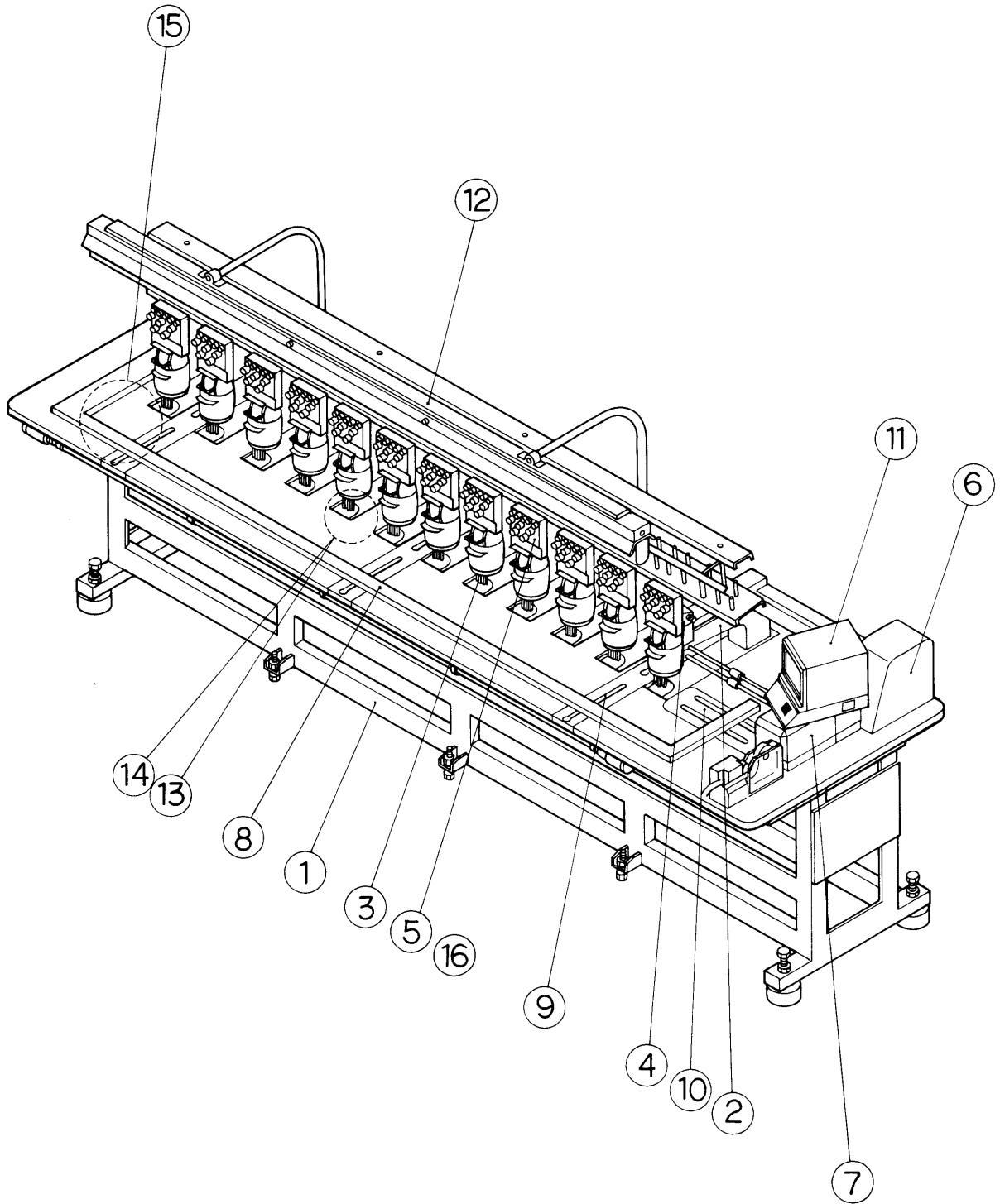
ADDRESS 20-TSUKAGOSHI, JOSUJI
ICHINOMIYA-CITY, AICHI-PREF.
JAPAN

TEL. <0586 >76-1137
TELEX 4573268 BARUNA J
CABLE BARUNA ICHINOMIYA

BEMR • BESR • BEX
HIGH SPEED AUTOMATIC EMBROIDERY
MACHINE PARTS LIST

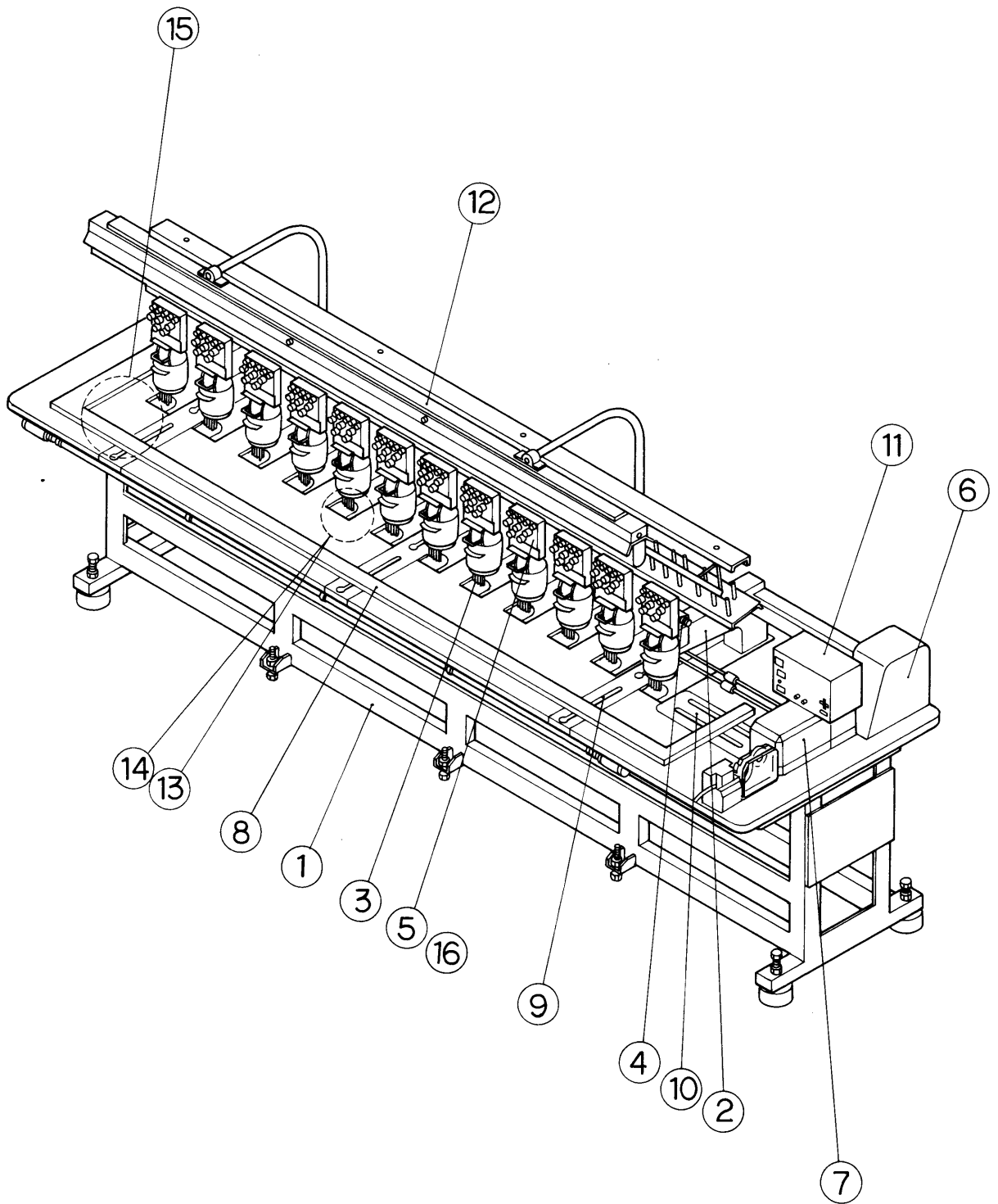
I N D E X

ITEM No.	Page No.
Machine layout $\left\{ \begin{array}{l} \text{BEMR} \\ \text{BESR} \\ \text{BEX} \end{array} \right\}$	1
①Table ▪ Frame a' ssy	4
②Sewing head a' ssy	6
③Needle bar ▪ Take up lever a' ssy	8
④Jump mechanism (5▪7)	1 0
④Jump mechanism (3)	1 2
⑤Thread guide mechanism (5▪7)	1 4
⑤Thread guide mechanism (3)	1 6
⑥Drive mechanism <BEMR>	1 8
⑥Drive mechanism <BESR ▪ BEX>	2 0
⑦Color change mechanism	2 2
⑧Pantograph drive mechanism (V ▪ H-Direction) I	2 4
⑨Pantograph drive mechanism (H-Direction) II	2 6
⑩Pantograph drive mechanism (V-Direction) III	2 8
⑪Control system <BEMR>	3 0
⑪Control system <BESR>	3 2
⑪Control system <BEX>	3 4
⑫Option	3 6
⑬Thread cutting mechanism I	3 8
⑭Thread cutting mechanism II	4 0
⑮Thread cutting drive mechanism III <BEMR>	4 2
⑮Thread cutting drive mechanism III <BESR ▪ BEX>	4 4
⑯Under thread cut sensorium mechanism	4 6



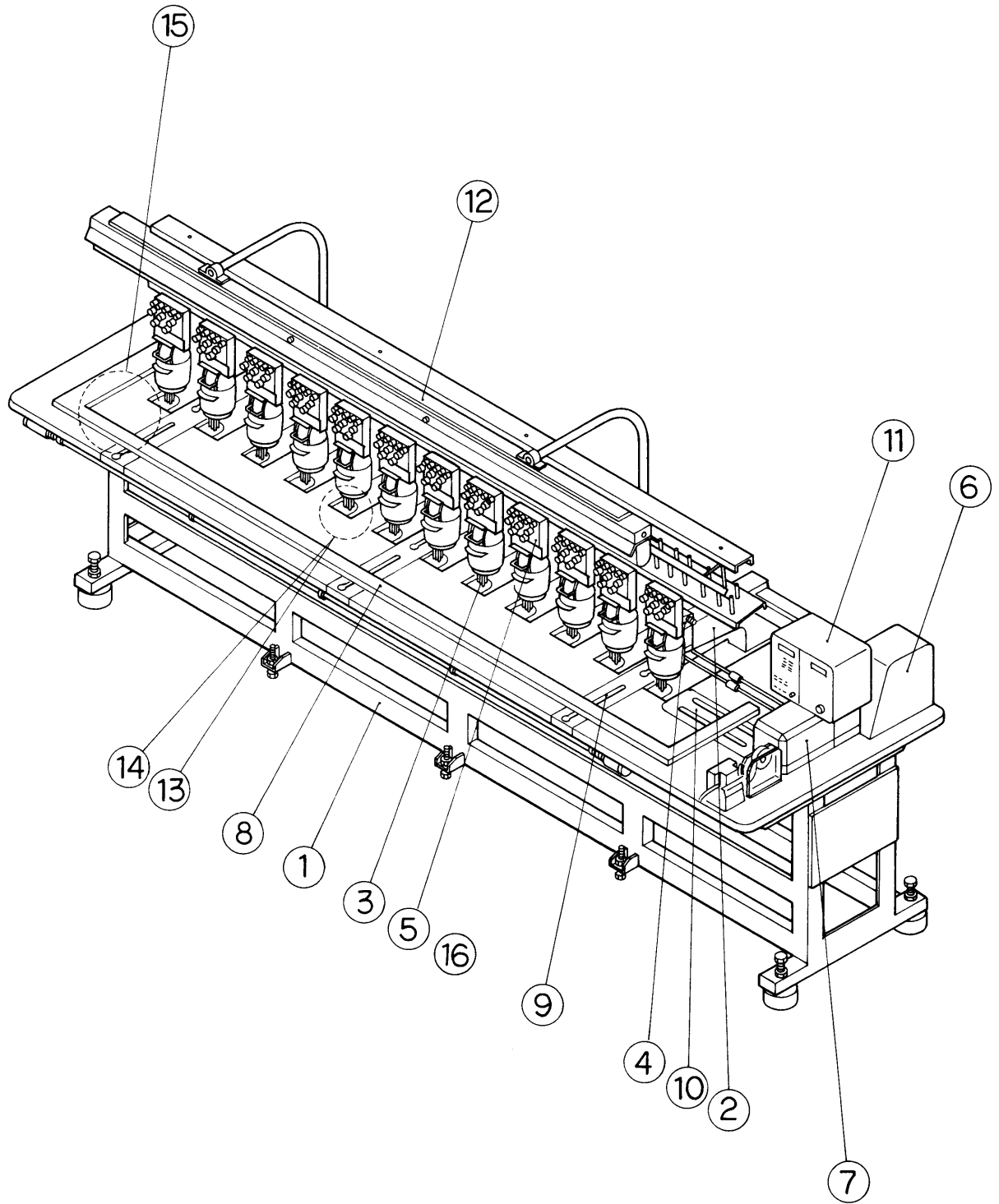
From the library of: Diamond Needle Corp

MODEL BEMR
BESR
BEX



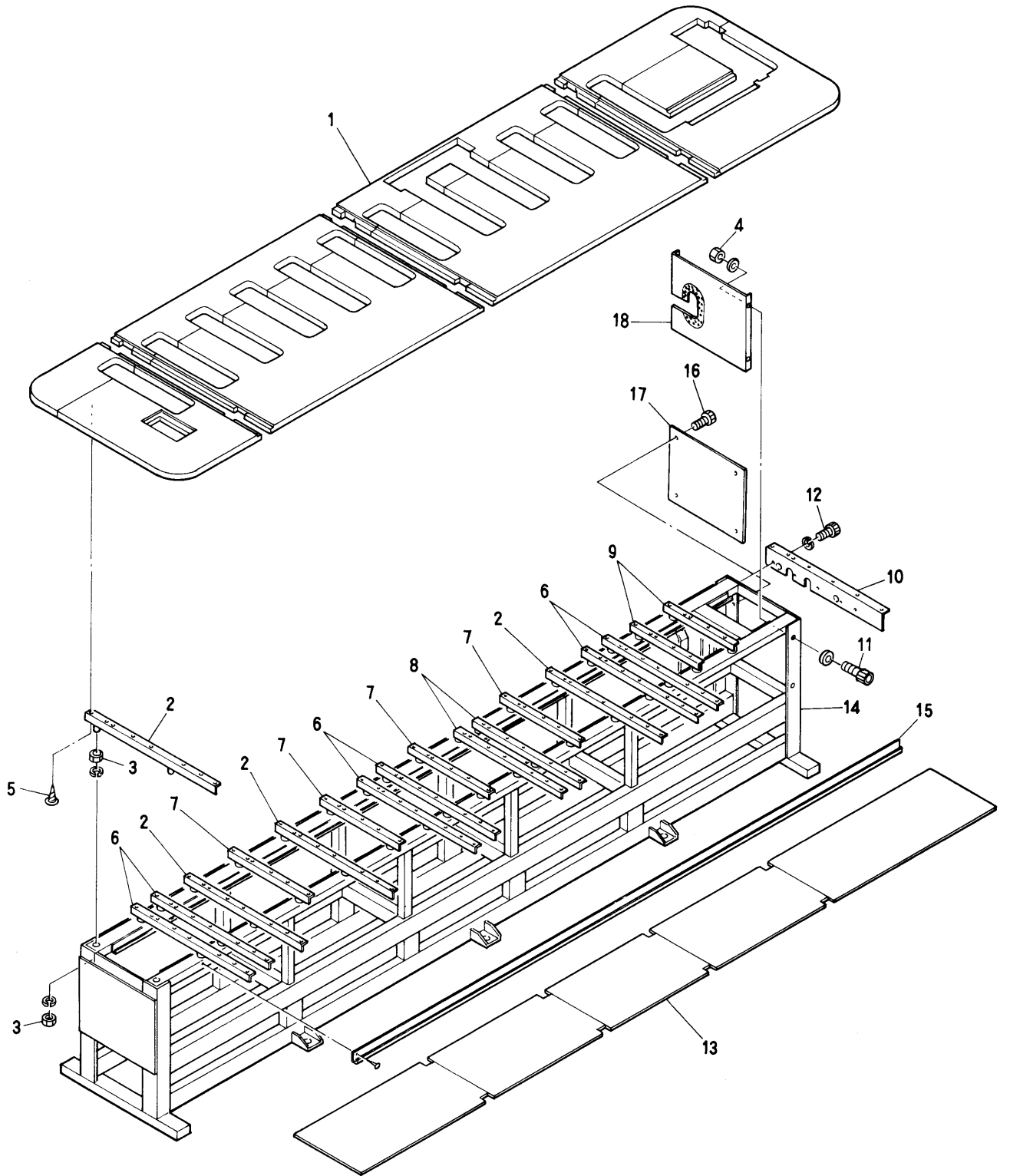
From the library of: Diamond Needle Corp

MODEL
BEMR
BESR
BEX



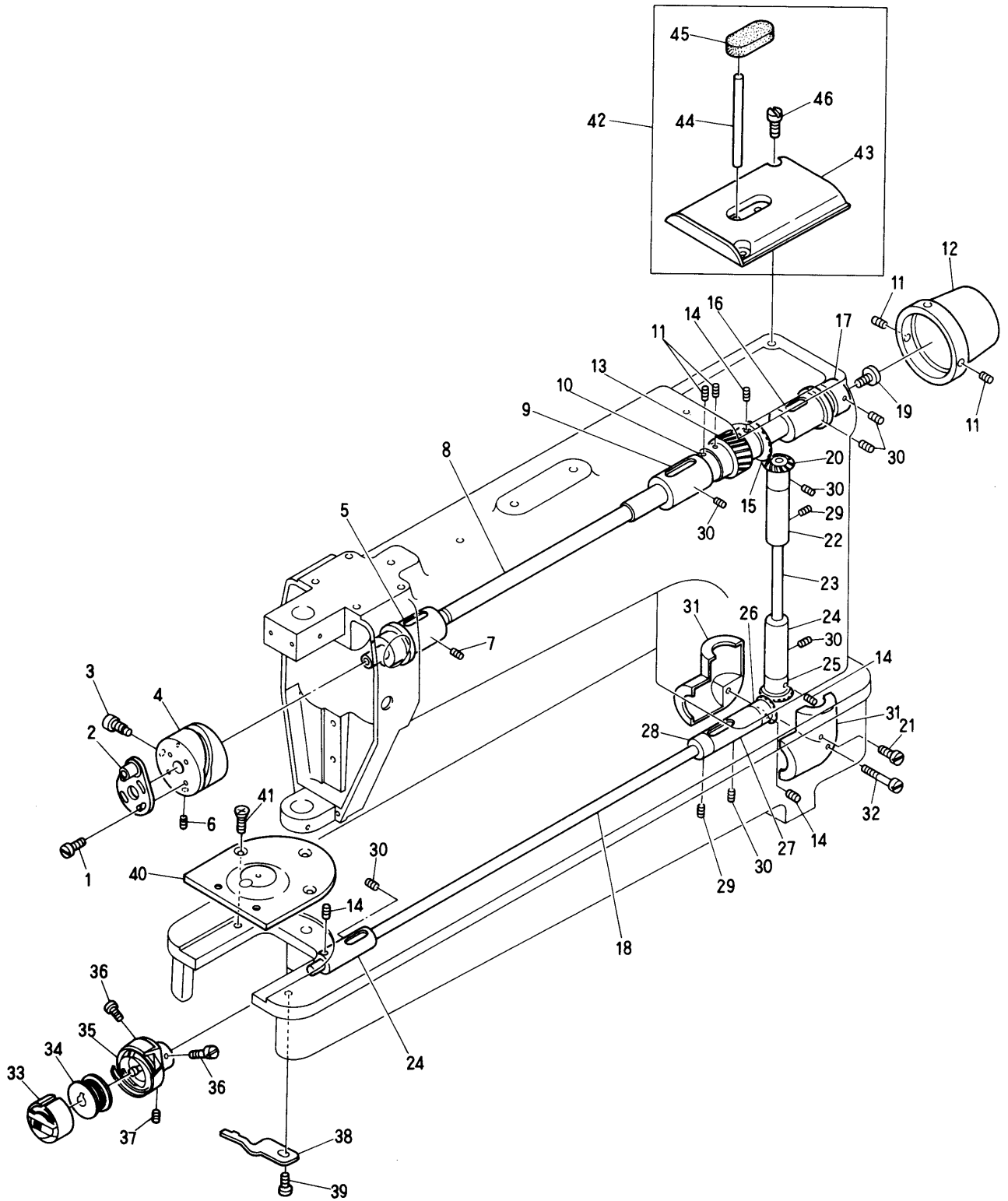
From the library of: Diamond Needle Corp

MODEL
BEMR
BESR
BEX



From the library of: Diamond Needle Corp

MODEL
BEMR
BESR
BEX



From the library of: Diamond Needle Corp

MODEL
BEMR
BESR
BEX

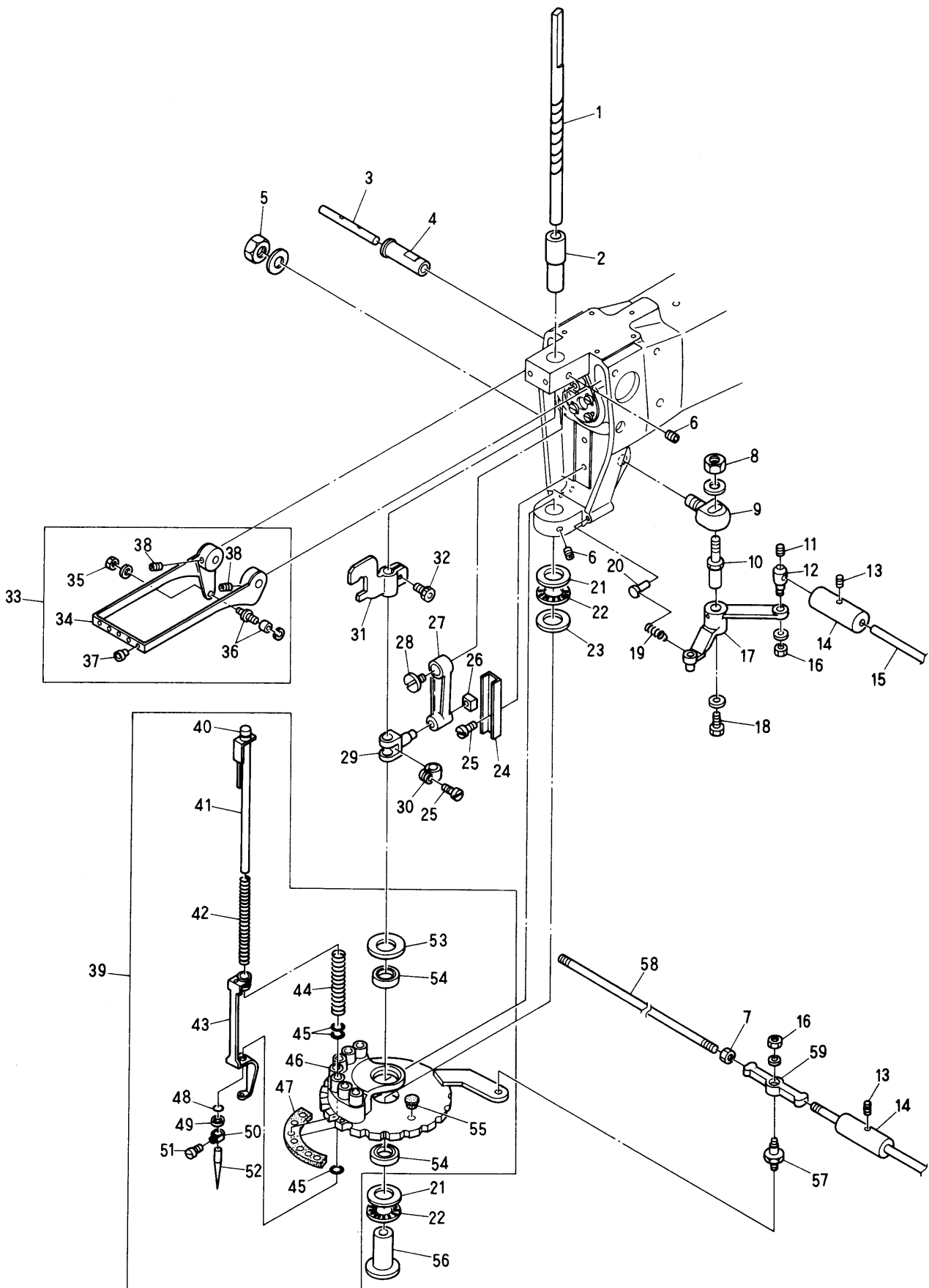
② Sewing head a'ssy (※Change the PART NO. by machine type)

ITEM	PART No.	LIST No.	DESCRIPTION	Q'TY	REMARK
1	91207	A 9 0 1 2 0 0 7	Screw (for rotating hook bobbin case holder position bracket)	4	
2	2343N00	KN 2 3 0 4 3 0	90° crank	1	
3	2342F	KF 2 3 0 4 2 0	Can set screw	1	
4	2341N00	KN 2 3 0 4 1 0	Take up lever cam G	1	
5	2214F	KF 2 2 0 1 4 0	Arm shaft front bushing	1	
6			Set screw (SM15/64 28×10)		
7			Hex. socket set screw M6×8		
8	2211N00	KN 2 2 0 1 1 0	Arm shaft	1	
9	2216F	KF 2 2 0 1 6 0	Arm shaft middle bushing	1	
10	2218F	KF 2 2 0 1 8 0	Arm shaft collar	1	
11			Hex. socket set screw M6×6		
12	2511F	KF 2 5 0 1 1 0	Arm shaft cover	1	
13	2212F	KF 2 2 0 1 2 0	Arm shaft gear (S)	1	
14			Hex. socket set screw M5×10		
15	2213F	KF 2 2 0 1 3 0	Bevel gear	1	
16	2215F	KF 2 2 0 1 5 0	Arm shaft rear metal	1	
17	2219F	KF 2 2 0 1 9 0	Arm shaft rear collar	1	
18	2221C	KC 2 2 0 2 1 0	Rotating hook shaft	1	
19	2245F	KF 2 2 0 4 5 0	Arm shaft adjusting screw	1	
20	2246F	KF 2 2 0 4 6 0	Bevel gear (upright) (upper)	1	
21			Screw (SM15/64 28×24)		
22	2224F	KF 2 2 0 2 4 0	Arm shaft (upright)bushing (upper)	1	
23	2225F	KF 2 2 0 2 5 0	Arm shaft (upright)	1	
24	2223F	KF 2 2 0 2 3 0	Rotating hook shaft bushing (front)	2	
25	2247F	KF 2 2 0 4 7 0	Bevel gear (Arm shaft (upright) upper)	1	
26	2248F	KF 2 2 0 4 8 0	Bevel gear (Rotating hook shaft)	1	
27	2222F	KF 2 2 0 2 2 0	Rotating hook shaft bushing (rear)	1	
28	2229F	KF 2 2 0 2 9 0	Rotating hook shaft collar	1	
29			Set screw (SM1/4 40×4)		
30			Hex. socket set screw M6×12		
31	2227F	KF 2 2 0 2 7 0	Gear cover set	1	
32			Screw (SM9/32 20×38)		
33	2244F00	KF 2 2 0 4 4 0	Bobbin case (SC35-NS)	1	※
34	2241F	KF 2 2 0 4 1 0	Bobbin	1	※
35	2278F	KF 2 2 0 7 8 0	Rotating hook (HSL-A-MIQ)(TS)	1	※
36			Screw (SM11/64 40×5)		
37			Screw (SM11/64 40×4)		
38	2251F	KF 2 2 0 5 1 0	Rotating hook bobbin case holder position bracket	1	※
39			Screw M5×8		
40	2591N00	KN 2 5 0 9 1 0	Throat plate (standard)	1	※
41	2590F00	KN 2 5 0 9 0 0	Throat plate screw (SM11/64 40×7)	2	
42	25D5C00	KC 2 5 1 3 5 0	Top cover a'ssy	1	
43	2516C01	KC 2 5 0 1 6 1	Top cover	1	
44	25D3C00	KC 2 5 1 2 3 0	Oil core (L=75)	1	
45	25D2C00	KC 2 5 1 2 2 0	Felt for top cover	1	

From the library of: Diamond Needle Corp

Barudan

③ Needle bar • Take up lever a' sssy



From the library of: Diamond Needle Corp

MODEL
BEMR
BESR
BEX

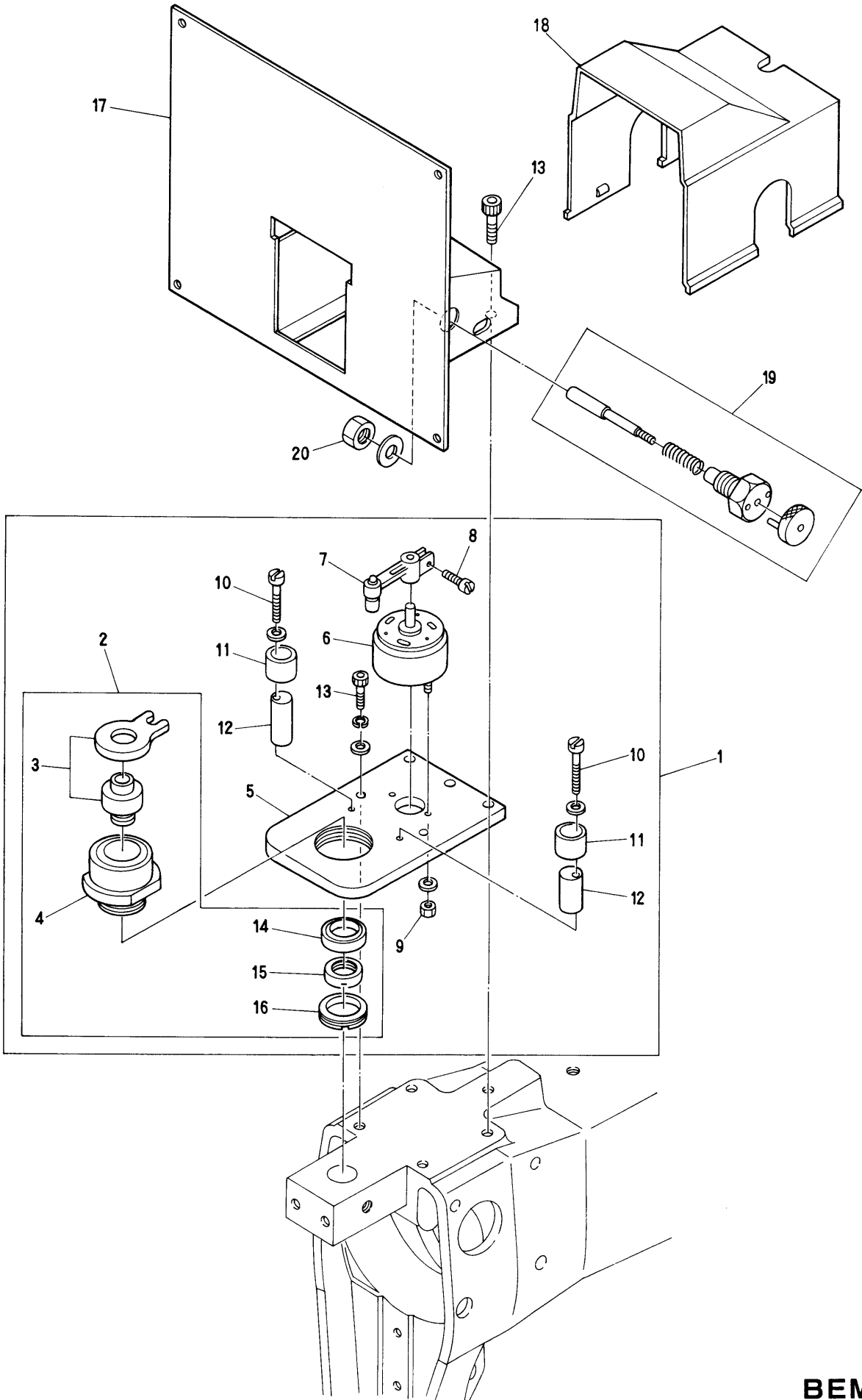
③ Needle bar - Take up lever a'ssy (※Change the PART NO. by machine type) (N=Needle Qty)

ITEM	PART No.	LIST No.	DESCRIPTION	Q'TY	REMARK
1	2331F	K F 2 3 0 3 1 0	Driving shaft	1	
2	2332F	K F 2 3 0 3 2 0	Driving shaft upper bushing	1	
3	2351F02	K F 2 3 0 5 1 2	Take up lever shaft	1	
4	2352F01	K F 2 3 0 5 2 1	Take up lever bushing	1	
5			Hex. nut M10		
6			Set screw M6×6		
7			Hex. nut M5		
8			Hex. nut M8		
9	2365F	K F 2 3 0 6 5 0	Lock lever bracket	1	
10	2363F	K F 2 3 0 6 3 0	Lock lever shaft	1	
11			Hex. socket set screw M5×5		
12	2364F	K F 2 3 0 6 4 0	Lock connection rod clamp	1	
13			Hex. socket set screw M5×5		
14	3338F01	K F 3 3 0 3 8 1	Lock bar hand grip	2	
15	3341C	K C 3 3 0 4 1 0	Lock connection rod	2	
16			Hex. nut M4		
17	2361G	K G 2 3 0 6 1 0	Lock lever	1	
18			Hex. bolt M5×10		
19	2366F01	K F 2 3 0 6 6 1	Lock lever spring	1	
20	2367F	K F 2 3 0 6 7 0	Lock lever spring pin	1	
21	91123	A 9 0 1 1 0 2 3	Thrust bearing outer (GS1528)	2	
22	91121	A 9 0 1 1 0 2 1	Thrust bearing (NTB-1528)	2	
23	91122	A 9 0 1 1 0 2 2	Thrust washer (AS-1528)	1	
24	23D1P00	H P 2 3 1 3 1 0	Guide rail	1	
25			Screw (SM9/64 40×8)		
26	23D7P00	H P 2 3 1 3 7 0	Square ball	1	
27	23D0P00	H P 2 3 1 3 0 0	Needle bar connection link	1	
28	2345F	K F 2 3 0 4 5 0	Needle bar connection link screw	1	
29	23C9P00	H P 2 3 1 2 9 0	Needle bar connection pin	1	
30	2348F	K F 2 3 0 4 8 0	Needle bar driver clamp	1	
31	2334G	K G 2 3 0 3 4 0	Needle bar driver	1	
32			Hex. socket bolt M4×8		
33	2322G	K G 2 3 0 2 2 0	Take up lever a'ssy (7)	1	
	2322C	K C 2 3 0 2 2 0	Take up lever a'ssy (5)	1	
	2322F	K F 2 3 0 2 2 0	Take up lever a'ssy (3)	1	
34	2383T01	M T 2 3 0 8 3 1	Take up lever (7)	1	
	2349T01	M T 2 3 0 4 9 1	Take up lever (5)	1	
	2385T01	M T 2 3 0 8 5 1	Take up lever (3)	1	
35			Hex. nut 7/32		
36	2350F	K F 2 3 0 5 0 0	Take up lever roller a'ssy	1	
37	2358F	K F 2 3 0 5 8 0	Take up lever thread eyelet ceramic	N×1	
38			Hex. socket set screw M5×6		
39	23H3N01	K N 2 3 1 7 3 1	Turret plate (7)	1	
	23H2N01	K N 2 3 1 7 2 1	Turret plate (5)	1	
	23H1N01	K N 2 3 1 7 1 1	Turret plate (3)	1	

From the library of: Diamond Needle Corp

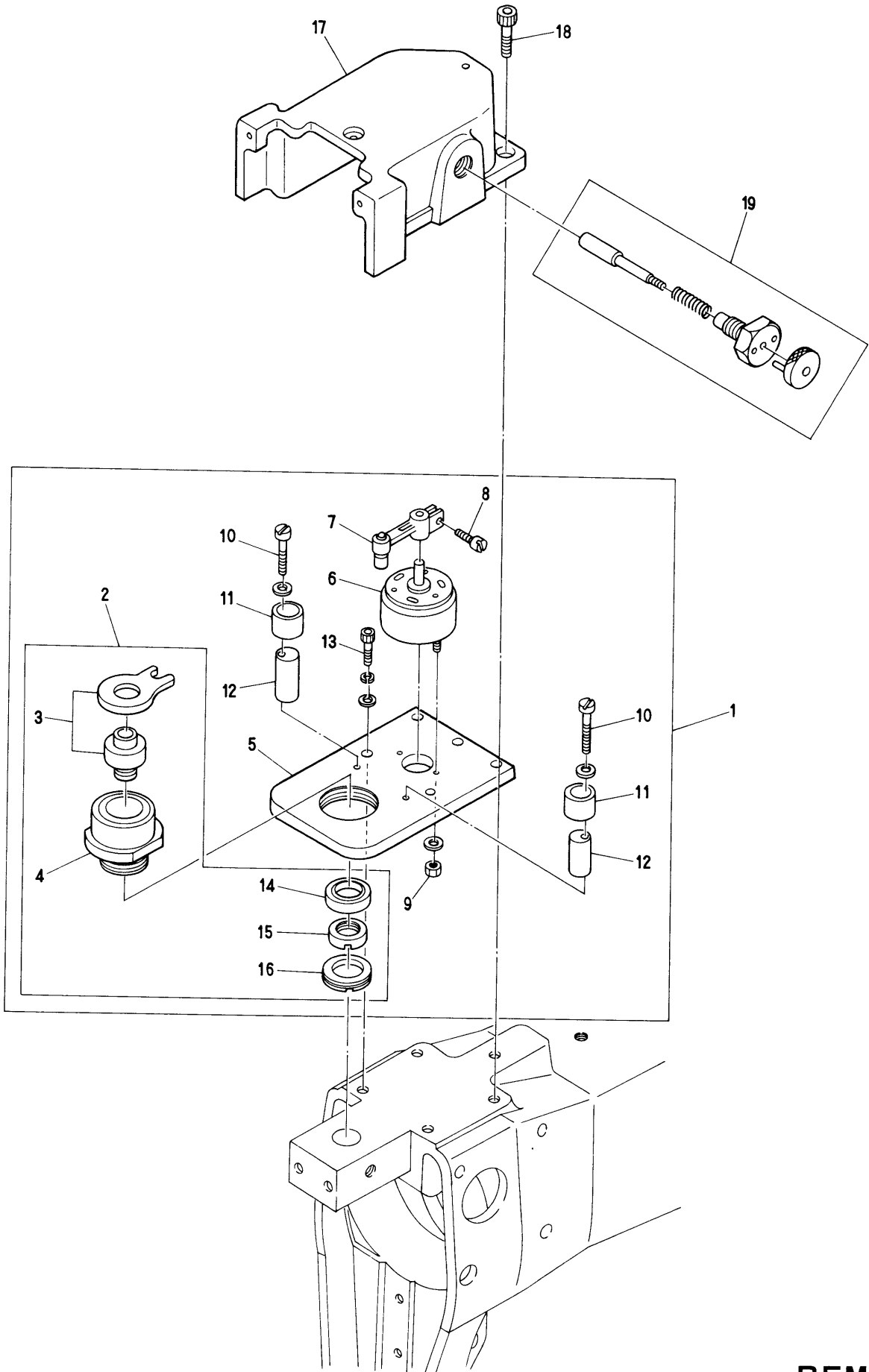
Barudan

④ Jump mechanism (5-7)



From the library of: Diamond Needle Corp

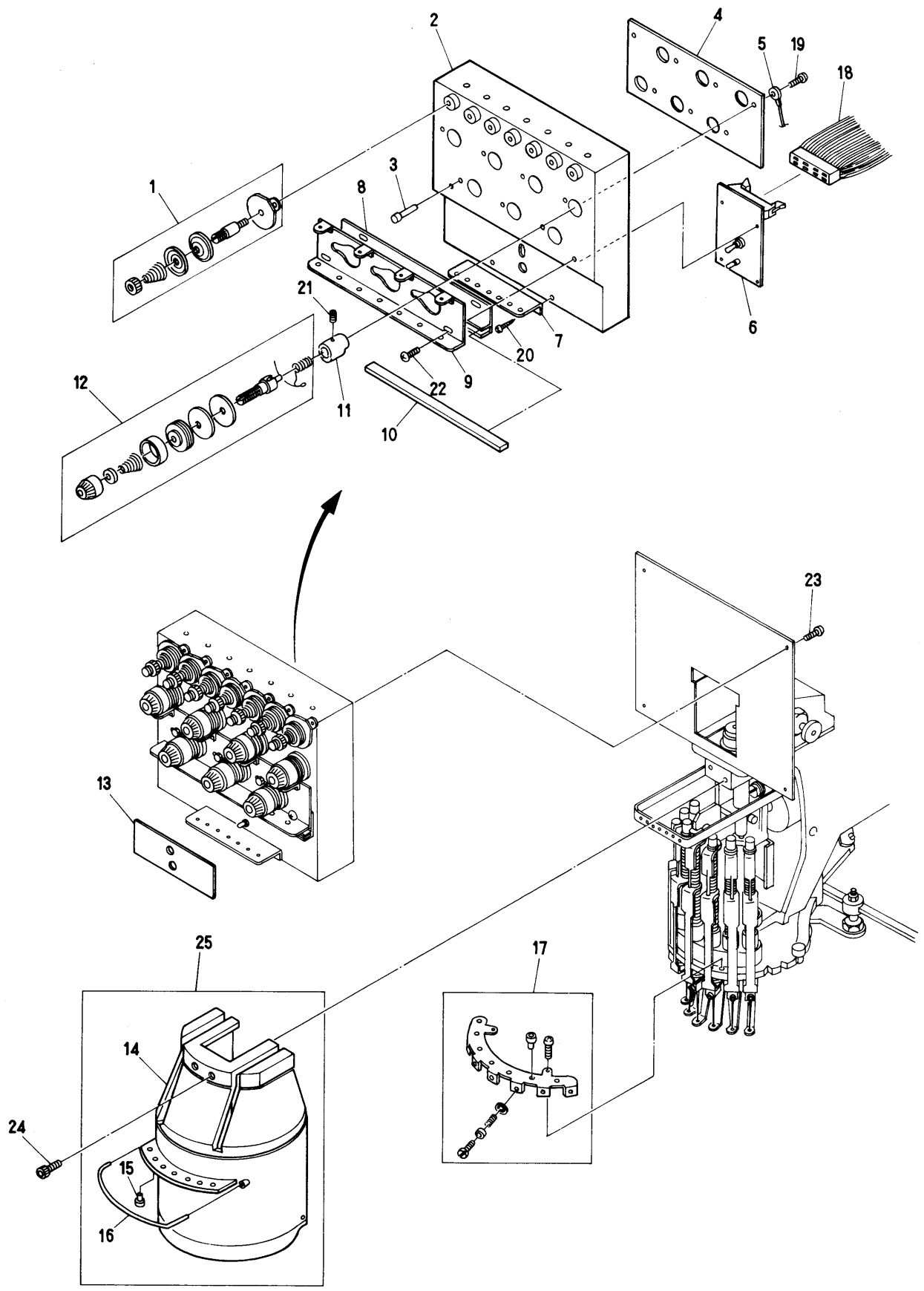
MODEL BEMR
BESR
BEX



From the library of: Diamond Needle Corp

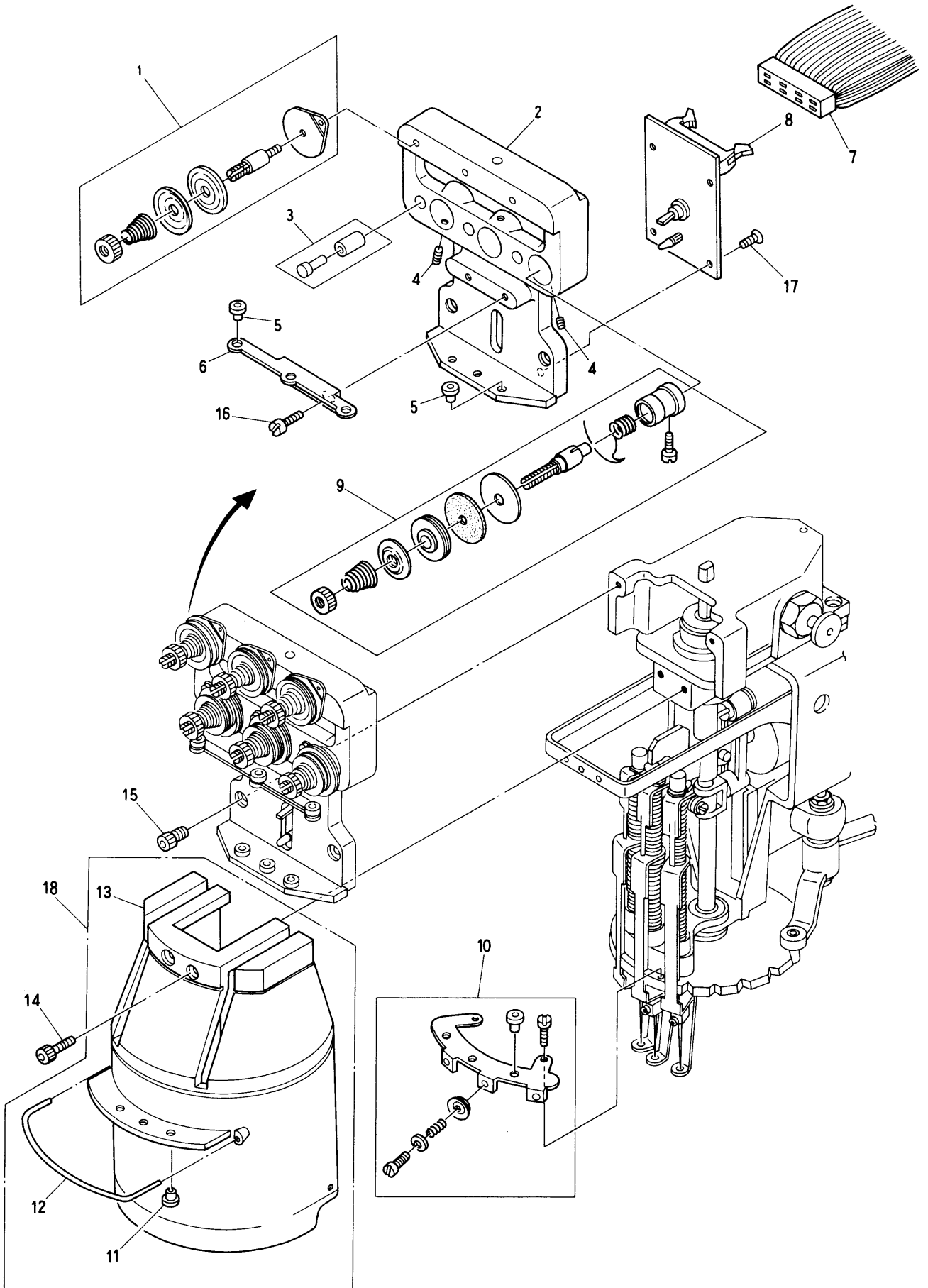
Barudan

⑤ Thread guide mechanism (5-7)



From the library of: Diamond Needle Corp

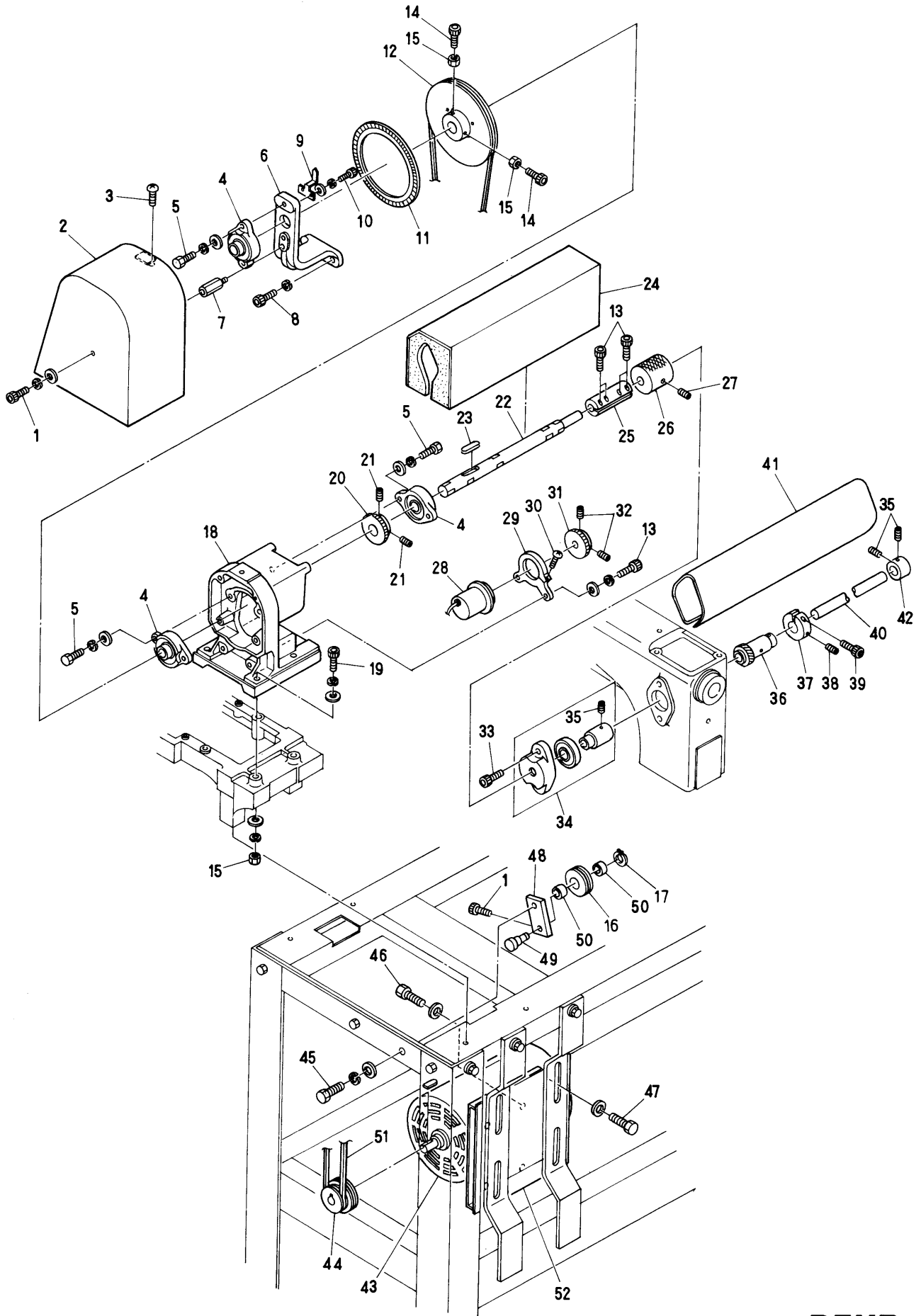
MODEL
BEMR
BESR
BEX



From the library of: Diamond Needle Corp

Barudan

⑥ Drive mechanism <BEMR>



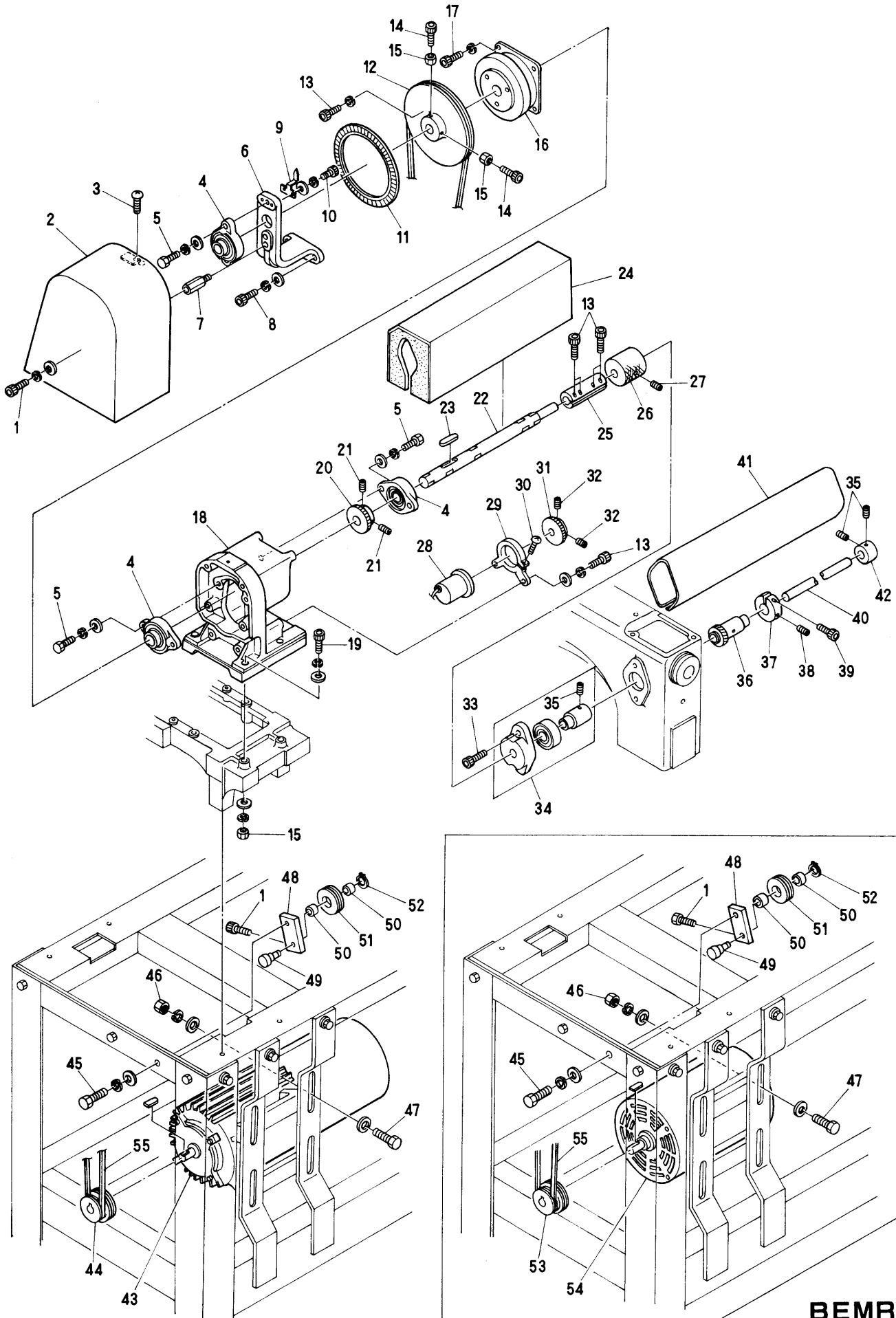
From the library of: Diamond Needle Corp

BEMR
BESR
BEX

⑥ Drive mechanism <BEMR> (※Change the PART NO. by machine type)

ITEM	PART No.	LIST No.	DESCRIPTION	Q'TY	REMARK
1			Hex. socket bolt M4×12		
2	31DQN00	KN 3 1 4 5 4 0	Belt cover	1	
3			Truss screw M4×8		
4	91117	A 9 0 1 1 0 1 7	Bearing unit BLF204	3	
5			Hex. bolt M8×25		
6	31FXN00	KN 3 1 5 1 3 0	Brake box bearing support	1	
7	31T4N00	KN 3 1 2 9 4 0	Belt cover stay	1	
8			Hex. socket bolt M8×25		
9	31EDP00	HP 3 1 4 6 7 0	Angle gauge	1	
10			Hex. socket bolt M4×8		
11	31AHN00	KN 3 1 3 6 7 0	Angle label (A)	1	
12	31S5C01	KC 3 1 2 8 5 1	Driving pully	1	
13			Hex. socket bolt M6×20		
14			Hex. socket bolt M6×14		
15			Hex. nut M6		
16	31L9C	KC 3 1 2 1 9 0	Idler pully	1	
17	91266	A 9 0 1 2 0 6 6	C-Ring (φ12)	1	
18	31S1N00	KN 3 1 2 8 1 0	Brake box	1	
19			Hex. socket bolt M6×35		
20	31T1C01	KC 3 1 2 9 1 1	Encorder driving gear No.1	1	
21			Hex. socket set screw M5×8		
22	31S2N00	KN 3 1 2 8 2 0	Brake shaft		
23	3121W00	WW 3 1 0 2 1 0	Key 6×6×35	1	
24	3293C	KC 3 2 0 9 3 0 5 7 0	Connecting shaft cover L=570	1	※
25	3255H	HH 3 2 0 5 5 0	Arm shaft connecting coupling	1	
26	3259C	KC 3 2 0 5 9 0	Hand pully	1	
27			Hex. socket set screw M6×12		
28	51A2N00	KN 5 1 1 0 2 0	Position corder (for 051 embroidery machine)	1	
29	31S9C	KC 3 1 2 8 9 0	Encorder support	1	
30			Truss screw M4×15		
31	31T2C01	KC 3 1 2 9 2 1	Encorder driving gear No.2	1	
32			Hex. socket set screw M4×8		
33			Hex. socket bolt M6×25		
34	3204F	KF 3 2 0 0 4 0	Connecting bearing husing a'ssy (S)	1	
	3205F	KF 3 2 0 0 5 0	Connecting bearing husing a'ssy (L)	1	final head
35			Hex. socket set screw M6×6		
36	3251F	KF 3 2 0 5 1 0	Connecting gear (L)	1	
37	3252F	KF 3 2 0 5 2 0	Connecting gear clamp	1	
38			Hex. socket set screw M6×10		
39			Hex. socket bolt M6×22		
40	3211C01	KC 3 2 0 1 1 1	Connecting shaft (15×4000)	2	※
41	3231C	KC 3 2 0 3 1 0 3 0 0	Connecting shaft cover (L=215)	1	※
42	3291F	KF 3 2 0 9 1 0	φ15 Collar	1	final head
43	31FVN00	KN 3 1 5 1 1 0	Motor (1K-FBK8-4P-0.55KW VF3 200V)	1	
44	31DZP01	HP 3 1 4 6 3 1	Motor pully (MRH, 0.55KW)	1	

From the library of: Diamond Needle Corp

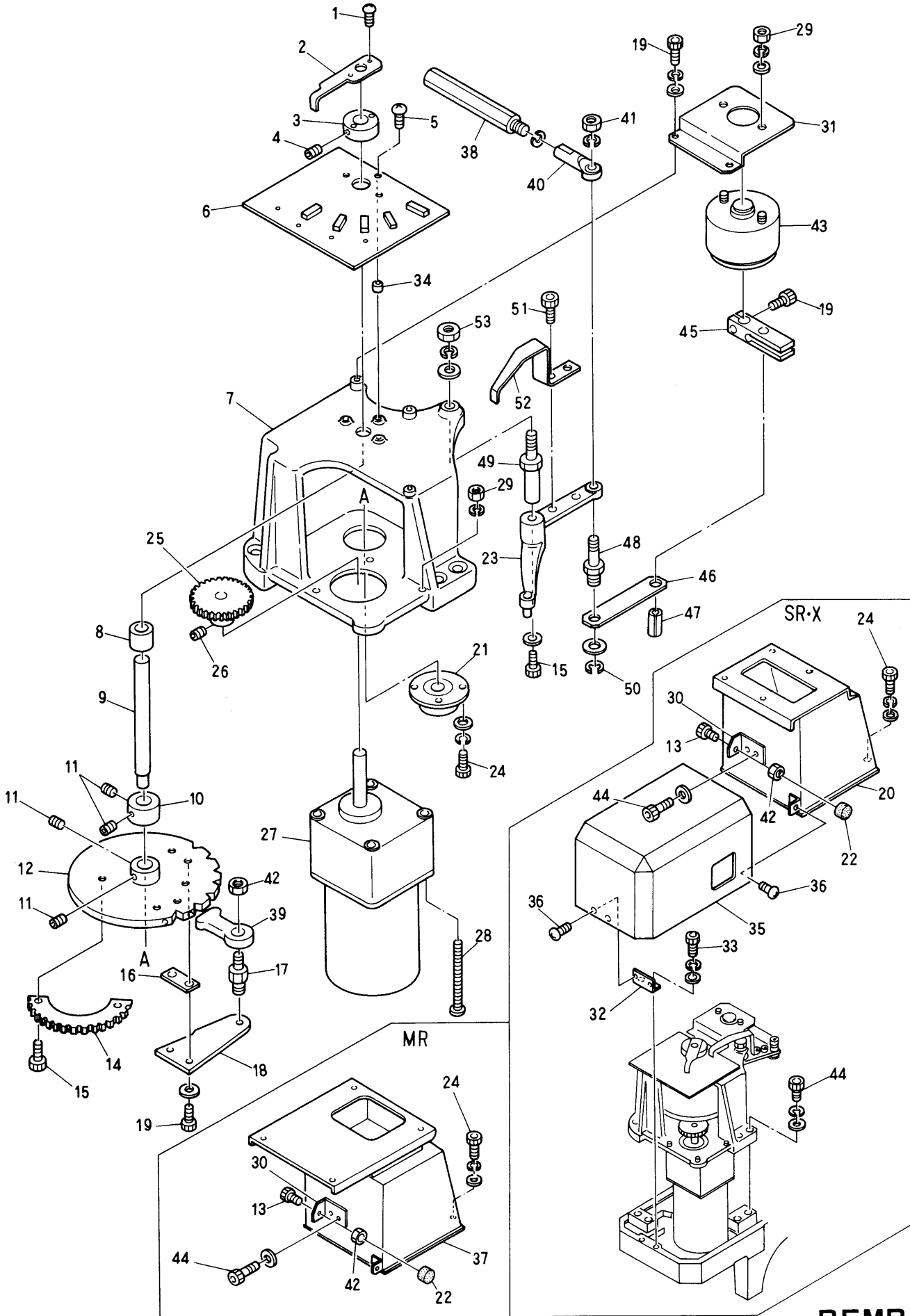


From the library of: Diamond Needle Corp

BEMR
BESR
BEX

⑥ Drive mechanism <BESR ▪ BEX> (※Change the PART NO. by machine type)

ITEM	PART No.	LIST No.	DESCRIPTION	QTY	REMARK
1			Hex. socket bolt M4×12		
2	31DQN00	KN 3 1 4 5 4 0	Belt cover	1	
3			Truss screw M4×8		
4	91117	A 9 0 1 1 0 1 7	Bearing unit (BLF204)	3	
5			Hex. bolt M8×25		
6	31FXN00	KN 3 1 5 1 3 0	Brake box bearing support	1	
7	31T4N00	KN 3 1 2 9 4 0	Belt cover stay	1	
8			Hex. socket bolt M8×25		
9	31EDP00	HP 3 1 4 6 7 0	Angle gauge	1	
10			Hex. socket bolt M4×8		
11	31AHN00	KN 3 1 3 6 7 0	Angle label (A)	1	
12	31S5C01	KC 3 1 2 8 5 1	Driving pully	1	
13			Hex. socket bolt M6×20		
14			Hex. socket bolt M6×14		
15			Hex. nut M6		
16	31SOC	KC 3 1 2 8 0 0	Brake unit	1	
17			Hex. socket bolt M5×12		
18	31S1N00	KN 3 1 2 8 1 0	Brake box	1	
19			Hex. socket bolt M6×35		
20	31T1C01	KC 3 1 2 9 1 1	Encorder driving gear No.1	1	
21			Hex. socket set screw M5×8		
22	31S2N00	KN 3 1 2 8 2 0	Brake shaft		
23	3121W00	WW 3 1 0 2 1 0	Key 6×6×35	1	
24	3293C	KC 3 2 0 9 3 0 5 7 0	Connecting shaft cover (L=570)	1	※
25	3255H	HH 3 2 0 5 5 0	Arm shaft connecting coupling	1	
26	3259C	KC 3 2 0 5 9 0	Hand pully	1	
27			Hex. socket set screw M6×12		
28	51A2N00	KN 5 1 1 0 2 0	Position corder (for 051 embroidery mechine)	1	
29	31S9C	KC 3 1 2 8 9 0	Encorder support	1	
30			Truss screw M4×15		
31	31T2C01	KC 3 1 2 9 2 1	Encorder driving gear No.2	1	
32			Hex. socket set screw M4×8		
33			Hex. socket bolt M6×25		
34	3204F	KF 3 2 0 0 4 0	Connecting bearing husing a'ssy (S)	1	
	3205F	KF 3 2 0 0 5 0	Connecting bearing husing a'ssy (L)	1	final head
35			Hex. socket set screw M6×6		
36	3251F	KF 3 2 0 5 1 0	Connecting gear (L)	1	
37	3252F	KF 3 2 0 5 2 0	Connecting gear clamp	1	
38			Hex. socket set screw M6×10		
39			Hex. socket bolt M6×22		
40	3211C01	KC 3 2 0 1 1 1	Connecting shaft (φ15×4000)	2	※
41	3231C	KC 3 2 0 3 1 0 3 0 0	Connecting shaft cover (L=215)	1	※
42	3291F	KF 3 2 0 9 1 0	φ15 Collar	1	final head
43	3112C	KC 3 1 0 1 2 0	Motor (Fuji PS401)	1	
44	31DYN00	KN 3 1 4 6 2 0	Motor pulley (SR.1P 50HZ)	1	

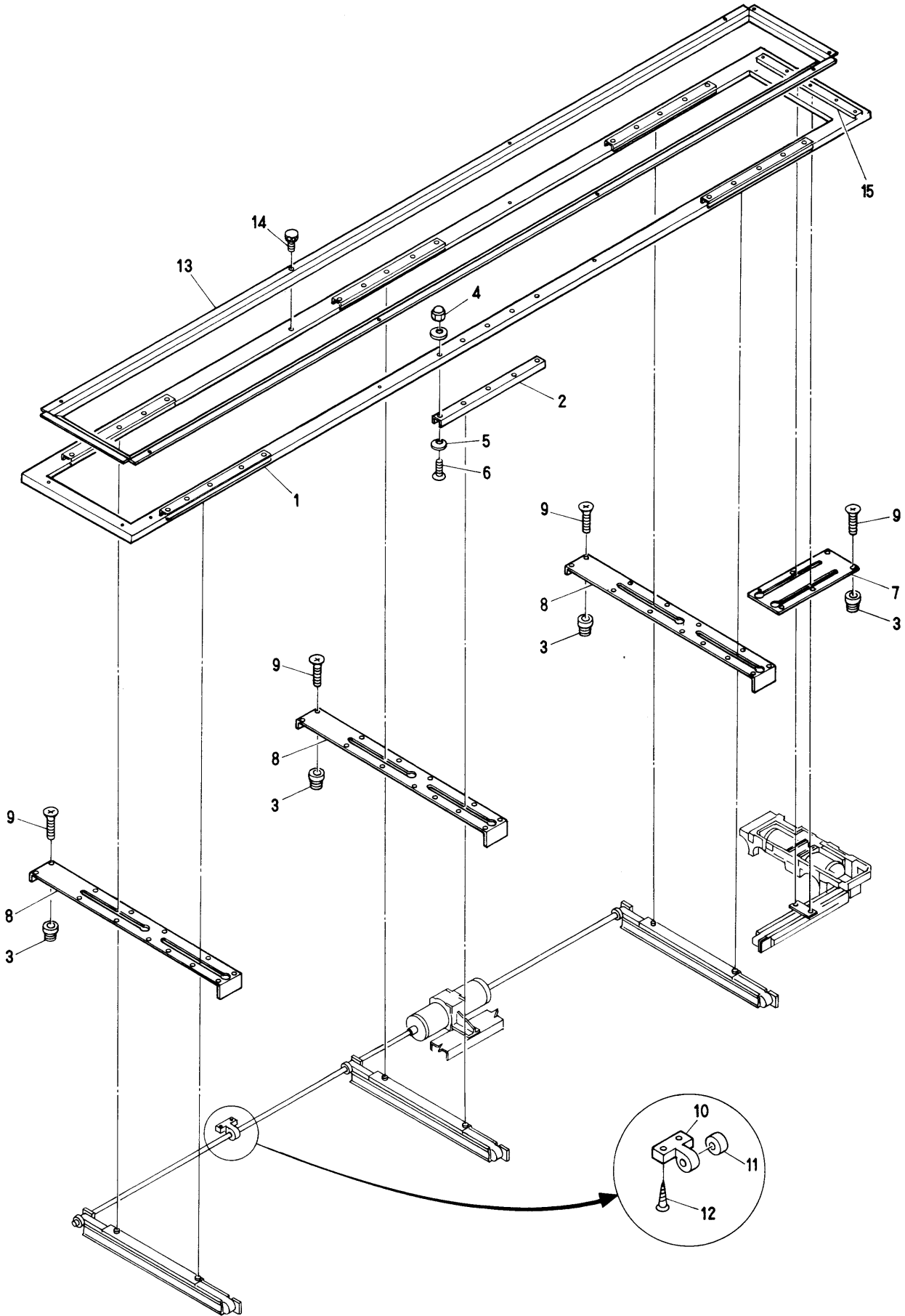


From the library of: Diamond Needle Corp

BEMR
BESR
BEX

⑦ Color change mechanism

ITEM	PART No.	LIST No.	DESCRIPTION	QTY	REMARK
1			Flush screw M3×8		
2	3328C	KC 3 3 0 2 8 0	Detection plate	1	
3	3317C	KC 3 3 0 1 7 0	Plate collar	1	
4			Hex. socket set screw M5×10		
5			Flush screw M3×12		
6	55C0180	E B Y 0 0 1 8 0	3740 Needle positioner (US)	1	
7	3313C	KC 3 3 0 3 1 0	Needle turning unit base	1	
8	3319C	KC 3 3 0 1 9 0	Oil-less metal	1	
9	3316C	KC 3 3 0 1 6 0	Needle turning shaft	1	
1 0	3318C	KC 3 3 0 1 8 0	Collar φ10	1	
1 1			Hex. socket set screw M5×6		
1 2	3315G	K G 3 3 0 1 5 0	US Control turning plate	1	
1 3			Hex. socket bolt M5×30		
1 4	3322G	K G 3 3 0 2 2 0	Needle turning gear No.2	1	
1 5			Hex. socket bolt M5×12		
1 6	2373G	K G 2 3 0 7 3 0	Turret plate lever specer	1	
1 7	2336F	K F 2 3 0 3 6 0	Turret plate joint pin	1	
1 8	2335F	K F 2 3 0 3 5 0	Turret plate lever	1	
1 9			Hex. socket bolt M5×15		
2 0	3312N01	K N 3 3 0 1 2 1	Automat base (BESR·X)	1	
2 1	3361C	KC 3 3 0 6 1 0	Oil-less bearing (OCHIAI) S/S LSB-G8-080V	1	
2 2	2315F	K F 2 3 0 1 5 0	Needle bar cap	1	
2 3	2361G	K G 2 3 0 6 1 0	US Lock lever 5	1	
2 4			Hex. socket bolt M6×12		
2 5	3321C	KC 3 3 0 2 1 0	Needle turning gear No.1 (0.8M50T)	1	
2 6			Hex. socket set screw M4×8		
2 7	3381C	KC 3 3 0 8 1 0	Geard motor RM-F6A5PC3-AS-120	1	
2 8			Flush screw M4×65		
2 9			Hex. nut M4		
3 0	3327A00	M A 3 3 0 2 7 0	Lock lever stopper	1	
3 1	3326C	KC 3 3 0 2 6 0	Bracket lock rotary solenoid	1	
3 2	3391C	KC 3 3 0 9 1 0	Cover bracket	1	
3 3			Hex. socket bolt M5×10		
3 4	912K3	A 9 0 1 2 2 0 3	Specer 4×4	3	
3 5	3314C	KC 3 3 0 1 4 0	Cover	1	
3 6			Truss screw M4×8		
3 7	33K1N00	K N 3 3 2 0 1 0	Automat base (BEMR)	1	
3 8	3351C	KC 3 3 0 5 1 0	Hex. connecting bar (L)	1	
3 9	91201	A 9 0 1 2 0 0 1	Uniball joint (NMB RD4020R)	1	
4 0	91202	A 9 0 1 2 0 0 2	Uniball joint (NMB PR-6)	1	
4 1			Hex. nut M16		
4 2			Spring washer 16		
4 3	3385C	KC 3 3 0 8 5 0	Rotary solenoid 6SR-25 (27×4×9)	1	
4 4			Hex. socket bolt M6×30		
4 5	3324Y00	K N 3 3 0 2 4 0	Lock solenoid lever	1	



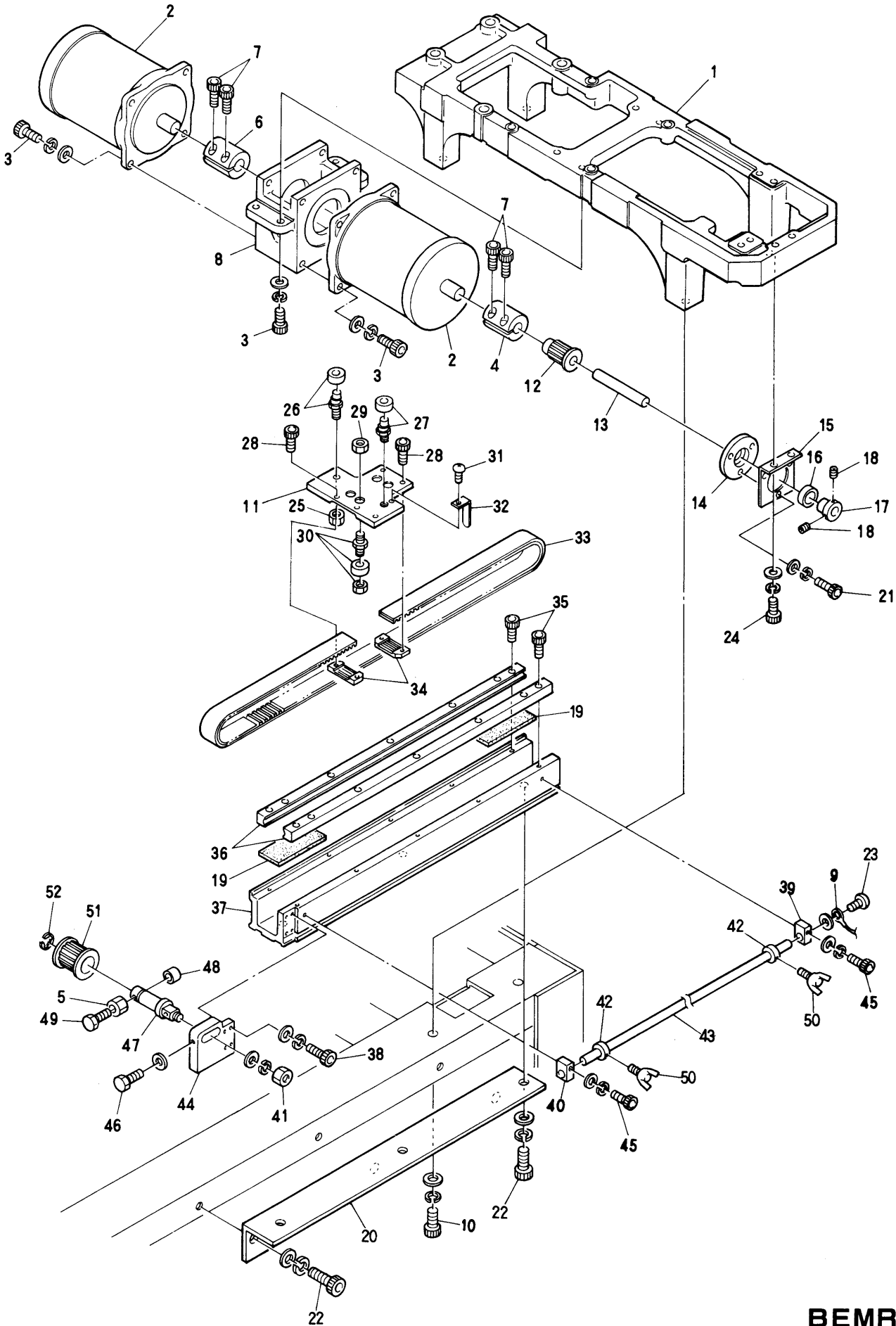
From the library of: Diamond Needle Corp

⑨ Pantograph drive mechanism (H-Direction) II

ITEM	PART No.	LIST No.	DESCRIPTION	Q'TY	REMARK
1	48X7P00	HP 4 8 3 3 7 0	Guide rail bearing pin a'ssy	1	
2	48X9P00	HP 4 8 3 3 9 0	Guide rail bearing pin a'ssy (H)	1	
3	48Y4N00	KN 4 8 3 4 4 0	H-member connecting channel	1	
4	48S7N01	KN 4 8 2 8 7 1	H rollar base (rear)	1	
5	48T5P00	HP 4 8 2 9 5 0	Rollar pin a'ssy A	8	
6	48S8N00	KN 4 8 2 8 8 0	H rollar base (Front)	1	
7	92098	A 9 0 2 0 0 9 8	Timing belt (300S5M2000)	1	
8	48T4P00	HP 4 8 2 9 4 0	Timing belt rack (5M)	2	
9	48J8H	HH 4 8 1 9 8 0	φ19 Clamping	1	
10	48T9P00	HP 4 8 2 9 9 0	Pantograph driving pully (Rear) (S5M)	1	
11	91163	A 9 0 1 1 0 6 3	Needle bearing (TLA2016)	1	
12	48K1N00	KN 4 8 2 0 1 0	H guide rear pully bracket	1	
13	48J7H	HH 4 8 1 9 7 0	Pulse motor connecting shaft collar	1	
14	48Y5N00	KN 4 8 3 4 5 0	V guide rail (L=660)	2	
15	4806N01	KN 4 8 0 0 6 1	Rail base felt (SR 100×38×6)	3	
16	48K0N00	KN 4 8 2 0 0 0	H guide front pully bracket	1	
17	48J9H01	HH 4 8 1 9 9 1	Timing pully shaft	1	
18	48L1H	HH 4 8 2 1 1 0	Pully shaft bolt cap	1	
19	48T8P00	HP 4 8 2 9 8 0	Pantograph driving pully (Front) (S5M)	1	
20	91252	A 9 0 1 2 0 5 2	E-ring (φ10)	1	
21	48Y0N00	KN 4 8 3 4 0 0	H guide rail base (BESR)	1	
22	48J3H01	HH 4 8 1 9 3 1	Pulse motor coupling	3	
23	48J0H	HH 4 8 1 9 0 0	Pulse motor (4M)	2	
24	4715N01	KN 4 7 0 1 5 1	H pulse motor bracket	1	
25	4681P00	HP 4 6 0 8 1 0	Pantograph stopping sensor plate (H)	1	
26	4682N00	KN 4 6 0 8 2 0	Pantograph stopping bar bracket (R)	1	
27	4683N00	KN 4 6 0 8 3 0	Pantograph stopping bar bracket (L)	1	
28	4547C	KC 4 5 0 4 7 0	Pantograph stopping collar	2	
29	45A4N00	KN 4 5 1 0 4 0 3 2	Pantograph stopping bar (H) (L=380)	1	
30	95333	A 9 0 5 3 0 3 3	Pantograph stopping single cable (0.75×180)	1	
31			Hex. socket bolt M4×6		
32			Pan screw M4×8		
33			Hex. nut M5		
34			Hex. socket bolt M5×18		
35			Hex. socket set screw M5×8		
36			Pulse motor connecting shaft φ15	2	
37			Hex. socket bolt M4×15		
38			Hex. socket bolt M4×18		
39			Hex. nut M8		
40			Hex. socket bolt M4×25		
41			Hex. socket bolt M4×40		
42			Hex. socket bolt M6×25		
43			Hex. socket bolt M8×40		
44			Roll pin φ4×30	2	
45			Hex. socket bolt M3×8		

Barudan

⑩ Pantograph drive mechanism (V-Direction) III

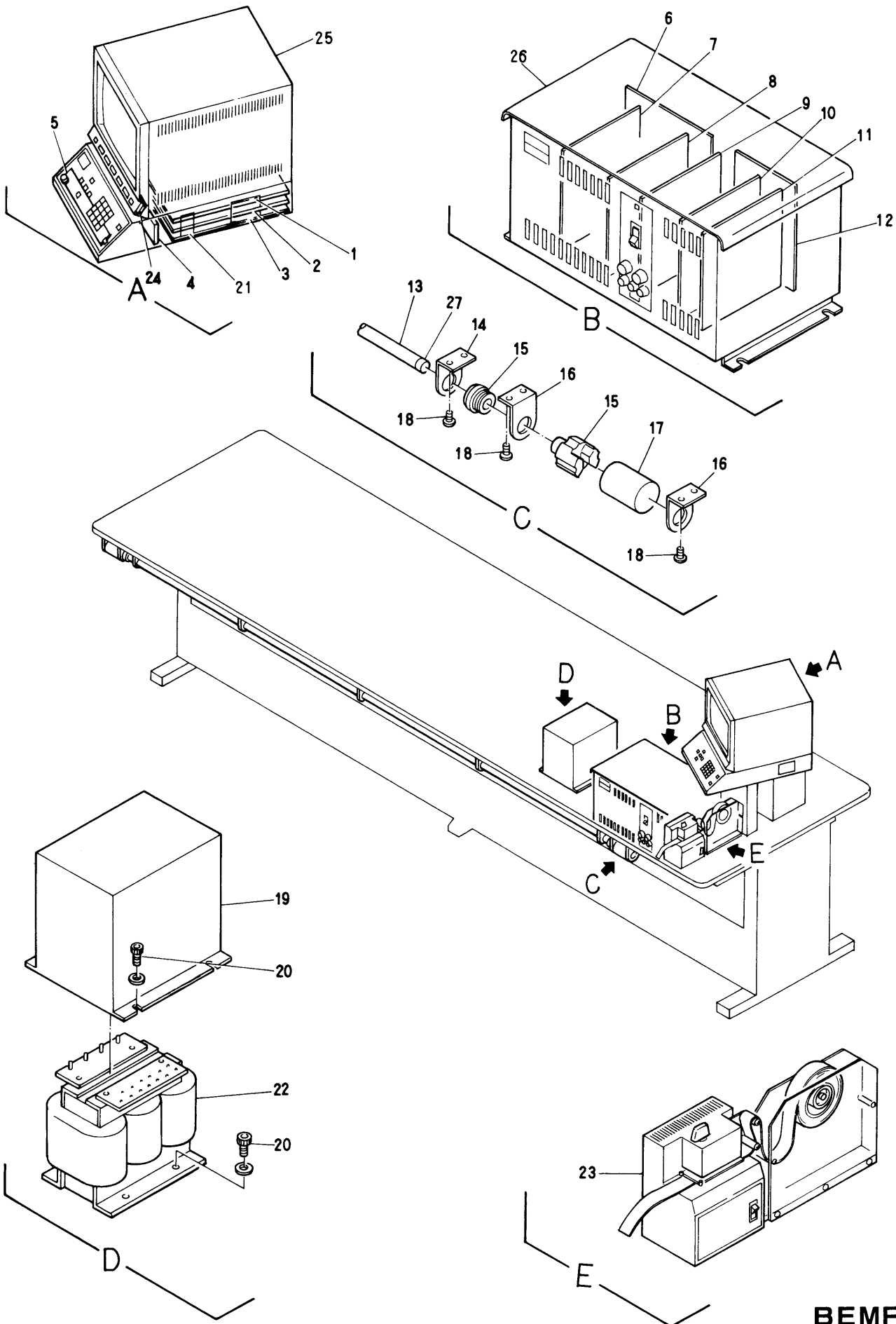


From the library of: Diamond Needle Corp

MODEL
BEMR
BESR
BEX

⑩ Pantograph drive mechanism (V-Direction) III (※Change the PART NO. by machine type)

ITEM	PART No.	LIST No.	DESCRIPTION	Q'TY	REMARK
1	3311N00	KN 3 3 0 1 1 0	Contorol unit base	1	
2	48J0H	HH 4 8 1 9 0 0	Pulse motor (4M)	2	
3			Hex. socket bolt M6×25		
4	4915N00	KN 4 9 0 1 5 0	V Pulse motor coupling	1	
5			Hex. nut M4		
6	48J3H01	HH 4 8 1 9 3 1	Pulse motor coupling	1	
7			Hex. socket bolt M5×28		
8	4716N01	KN 4 7 0 1 6 1	V Pulse motor bracket	1	
9	95333	A 9 0 5 3 0 3 3	Pantograph stopping singl cable (0.75×180)	1	
10			Hex. socket bolt M8×20		
11	48S9N00	KN 4 8 2 8 9 0	V roller base	1	
12	48T9P00	HP 4 8 2 9 9 0	Pantograph driving pully (rear) (S5M)	1	
13	4914N00	KN 4 9 0 1 4 0	V timing belt shaft	1	
14	4913N00	KN 4 9 0 1 3 0	V timing belt shaft bearing husing	1	
15	4912N00	KN 4 9 0 1 2 0	Bearing bracket	1	
16	91163	A 9 0 1 1 0 6 3	Needle bearing (TLA 2016)	1	
17	48J7H	HH 4 8 1 9 7 0	Pulse motor connecting shaft collar	1	
18			Hex. socket set screw M5×8		
19	4806N01	KN 4 8 0 0 6 1	Rail base felt (SR 100×38×6)	2	
20	4746C	KC 4 7 0 4 6 0	V guide rail base bracket	1	※
21			Hex. socket bolt M4×8		
22			Hex. socket bolt M8×20		
23			Pan screw M4×12		
24			Hex. socket bolt M5×12		
25			Hex. nut M3		
26	48V1P01	HP 4 8 3 1 1 1	Guide rail bearing pin a'ssy B	1	
27	48X7P00	HP 4 8 3 3 7 0	Guide rail bearing pin a'ssy	1	
28			Hex. socket bolt M3×6		
29			Hex. nut M5		
30	48T5P00	HP 4 8 2 9 5 0	Roller pin a'ssy A	4	
31			Truss screw M3×6		
32	4680P00	HP 4 6 0 8 0 0	Pantograph stopping sensor plate (V)	1	
33	92098	A 9 0 2 0 0 9 8	Timing belt (300S5M2000)	1	
34	48T4P00	HP 4 8 2 9 4 0	Timing belt rack (5M)	2	
35			Hex. socket bolt M4×15		
36	48Y5N00	KN 4 8 3 4 5 0	V guide rail (L=660)	2	※
37	48Y1N00	KN 4 8 3 4 1 0	V guide rail base (stroke 350)	1	※
38			Hex. socket bolt M4×18		
39	4683N00	KN 4 6 0 8 3 0	Pantograph stopping bar bracket (R)	1	
40	4682N00	KN 4 6 0 8 2 0	Pantograph stopping bar bracket (L)	1	
41			Hex. nut M8		
42	4547C	KC 4 5 0 4 7 0	Pantograph stopping collar	2	
43	45A5N00	KN 4 5 1 0 5 0	Pantograph stopping bar V (L=394)	1	※
44	48K0N00	KN 4 8 2 0 0 0	H guide front pully bracket	1	
45			Hex. socket bolt M4×20		

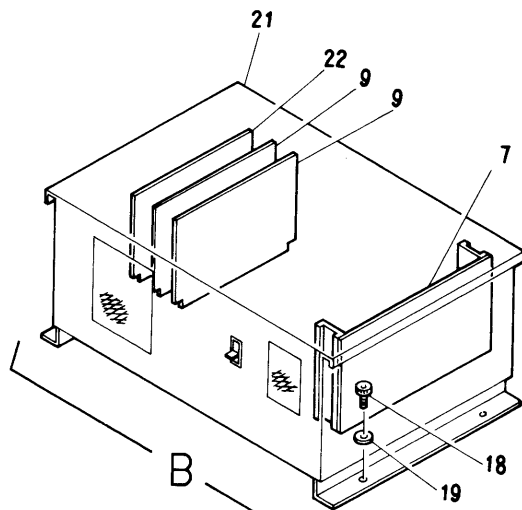
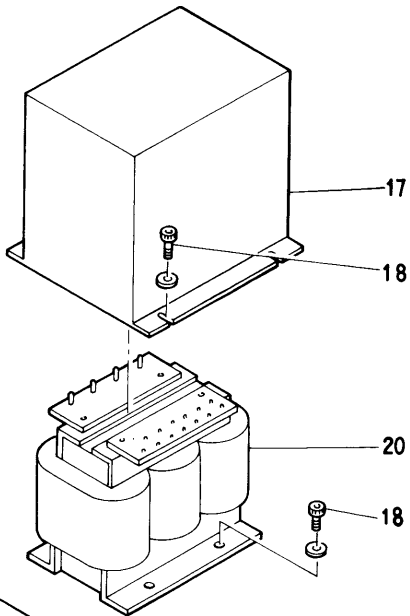
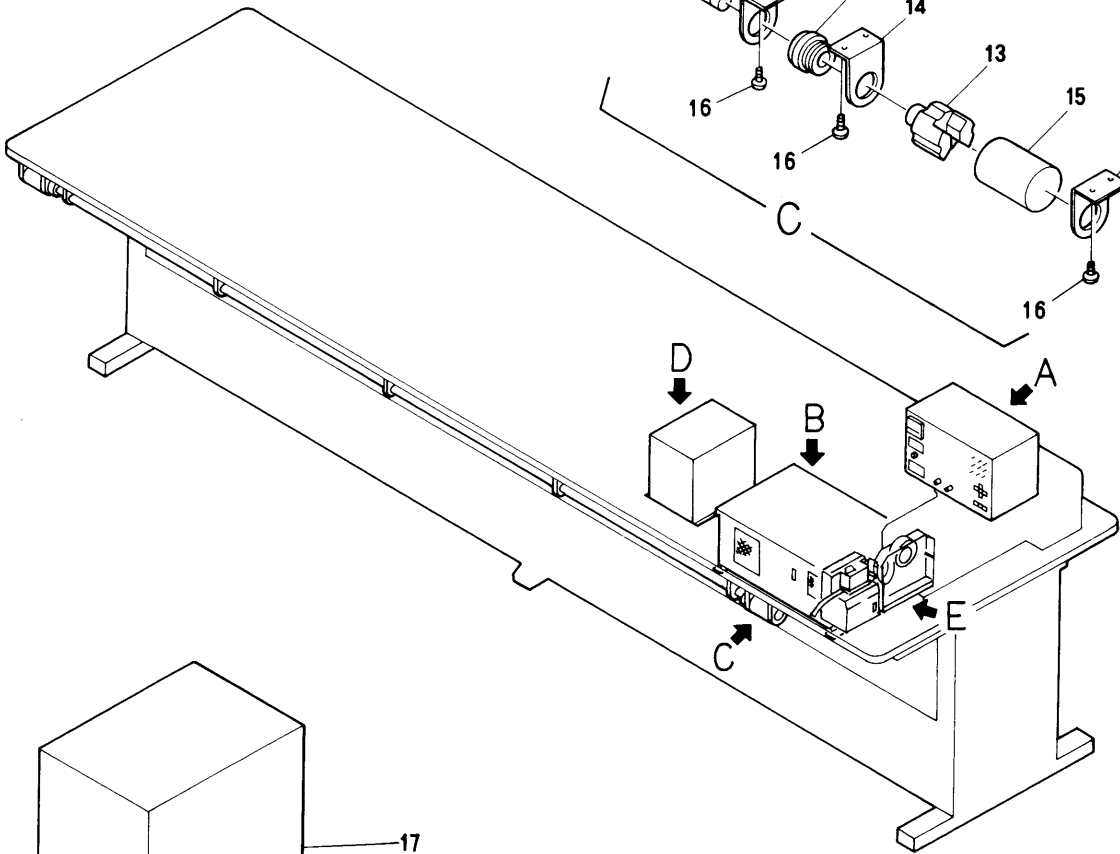
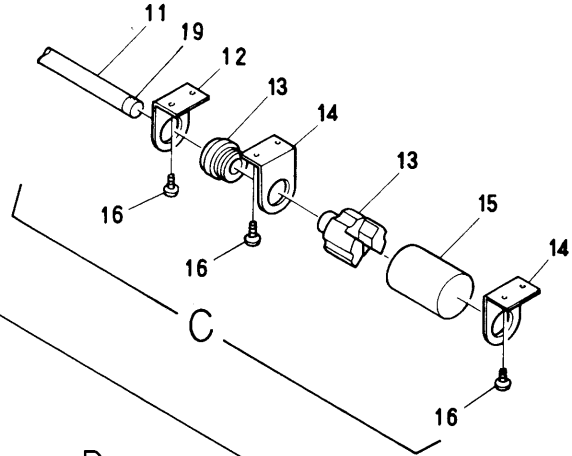
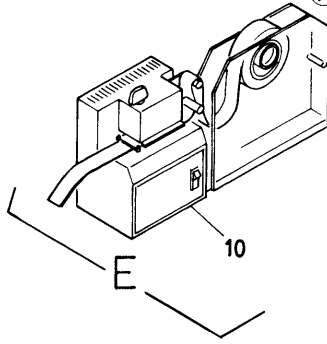
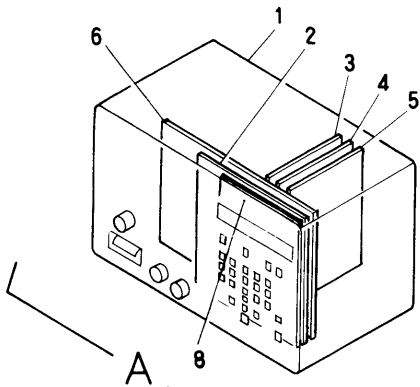


From the library of: Diamond Needle Corp

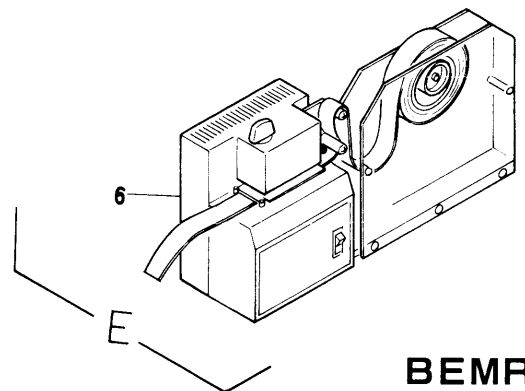
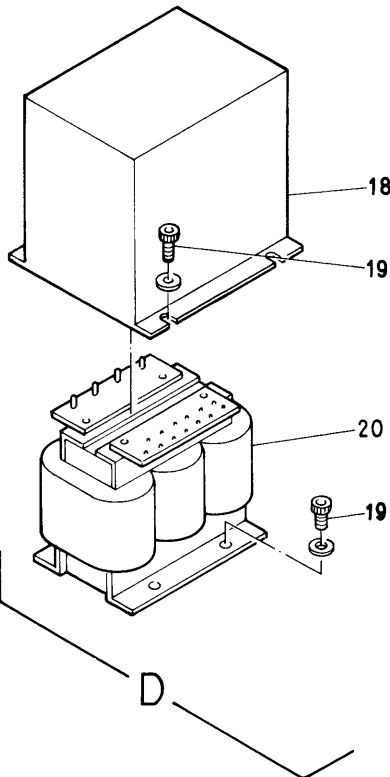
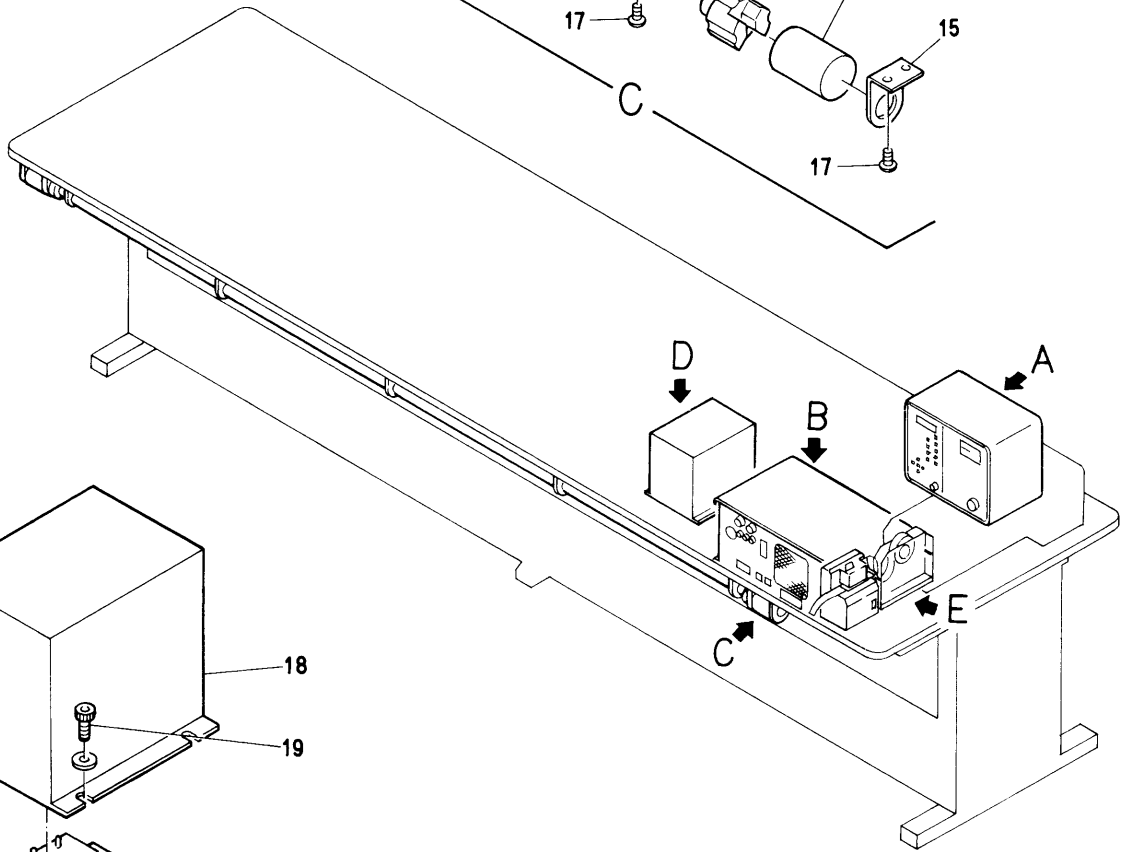
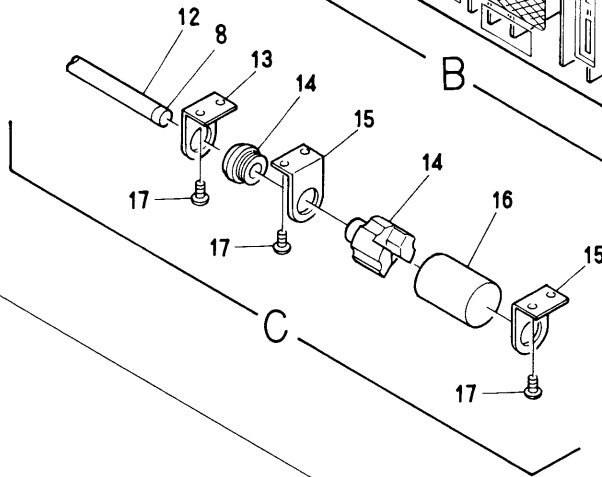
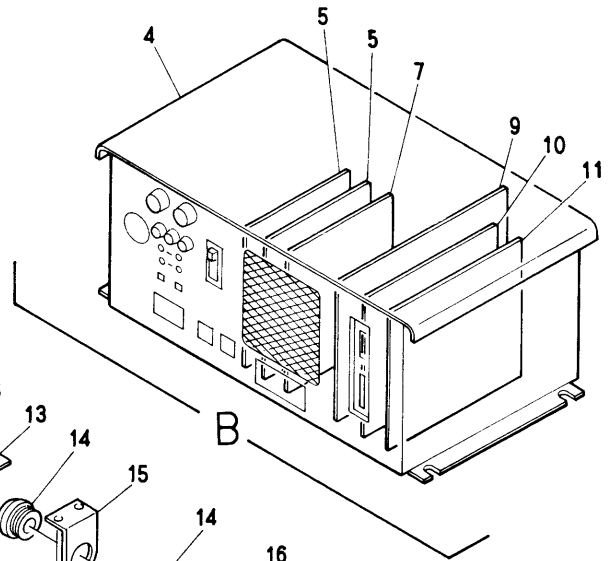
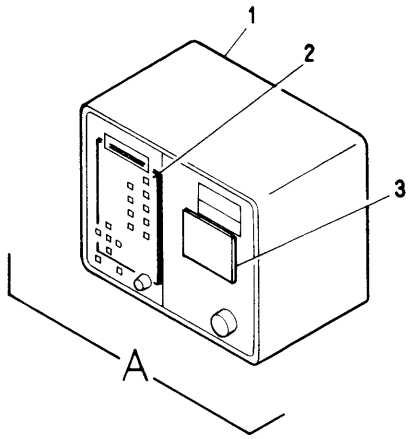
MODEL
BEMR
BESR
BEX

Barudan

⑪ Control system <BESR>

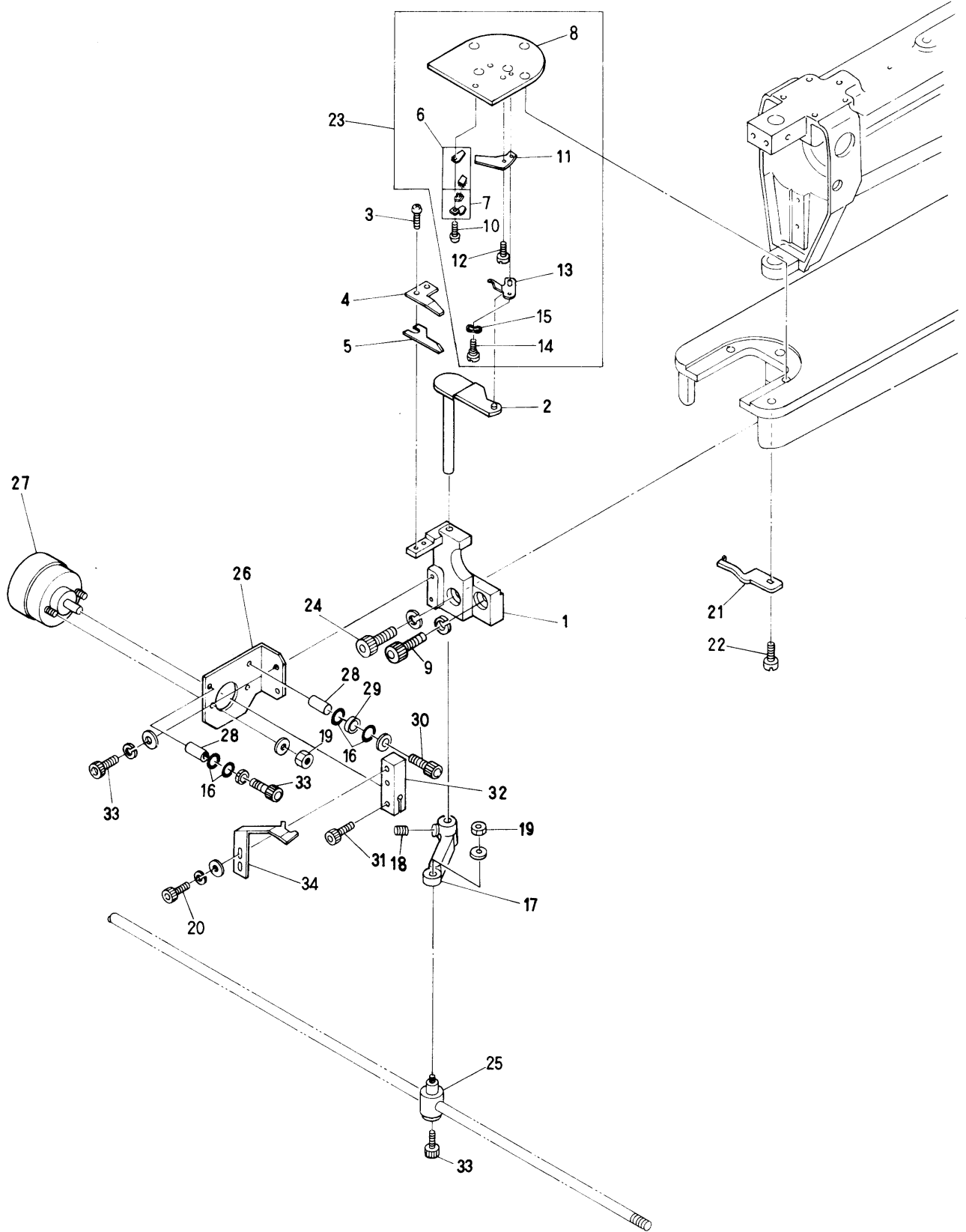


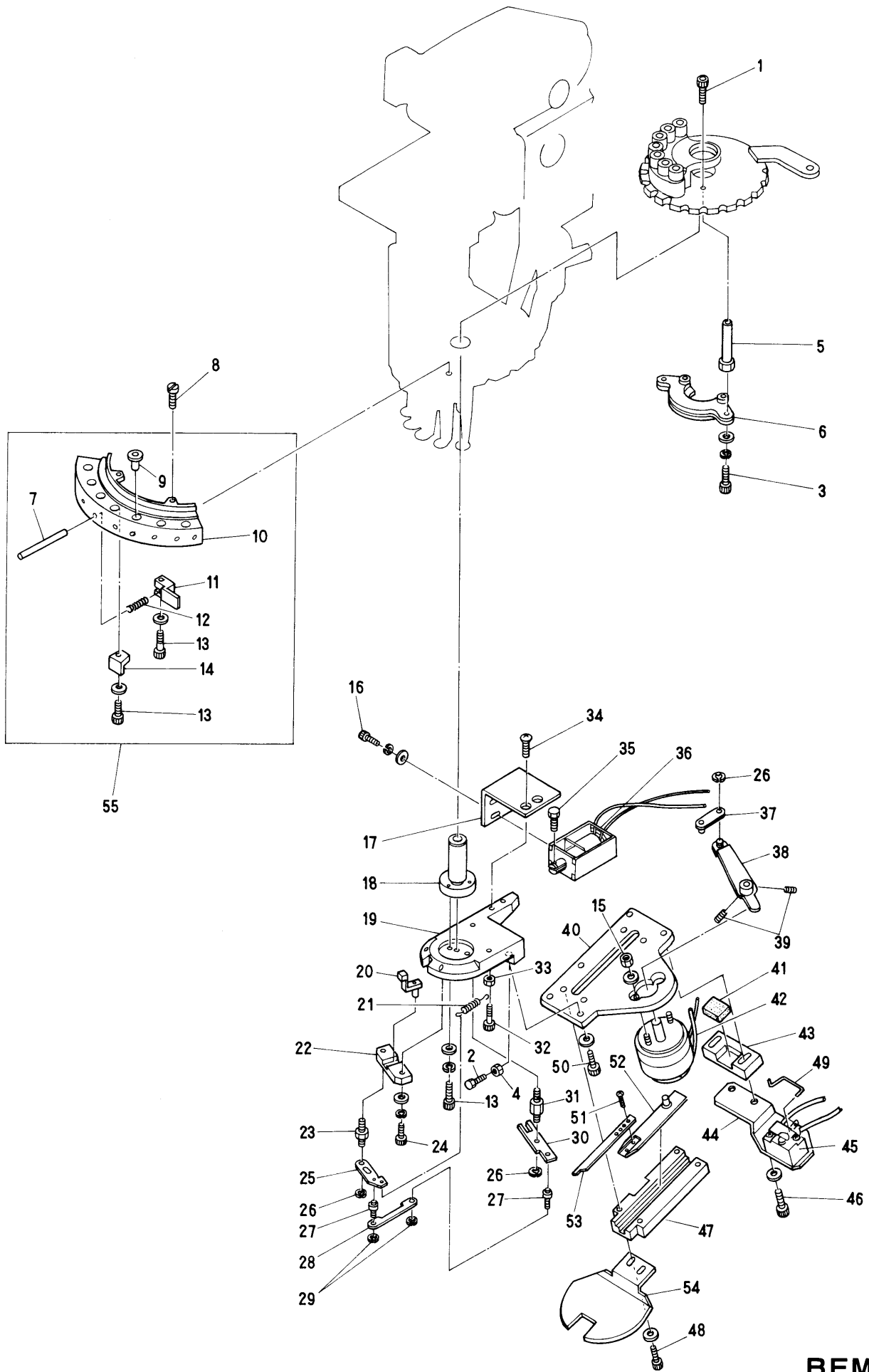
MODEL
BEMR
BESR
BEX



From the library of: Diamond Needle Corp

MODEL
BEMR
BESR
BEX





From the library of: Diamond Needle Corp

MODEL **BEMR
BESR
BEX**

⑭ Thread cutting mechanism II

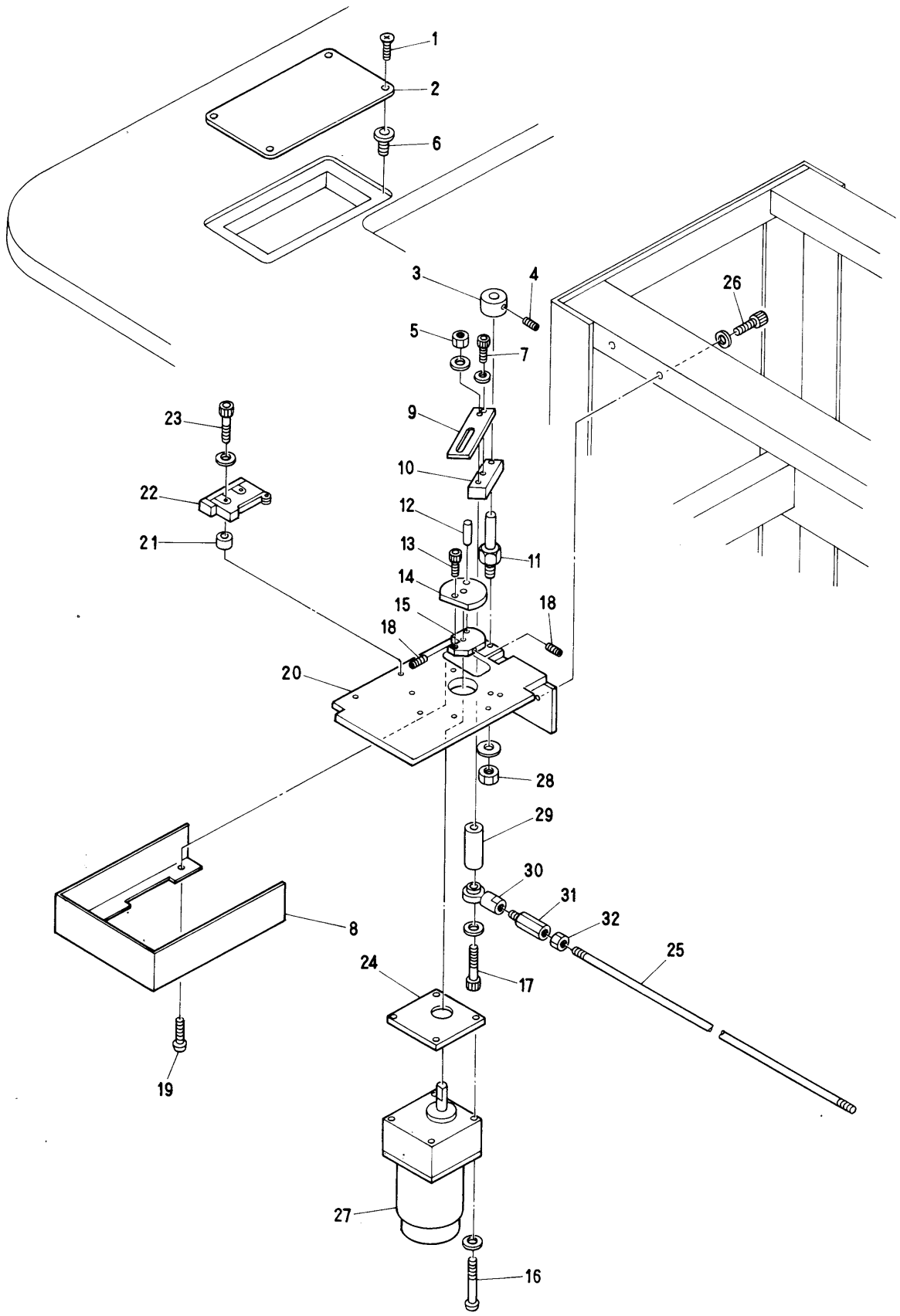
(N=Needle Qty)

ITEM	PART No.	LIST No.	DESCRIPTION	Q'TY	REMARK
1			Hex. socket bolt M3×15		
2	2778C	KC 2 7 0 7 8 0	Stopper screw	1	
3			Hex. socket bolt M3×8		
4			Hex. nut M3	1	
5	2716N00	KN 2 7 0 1 6 0	Clamp support shaft	2	
6	2772C	KC 2 7 0 7 2 0	Thread support clamp CMP	1	
7	2731G	KG 2 7 0 3 1 0	Thread support shaft	N×1	
8			Screw (SM9/64 40)		
9	2358F	KF 2 3 0 5 8 0	Take up lever ceramic	N×1	
1 0	2728C03	KC 2 7 0 2 8 3	Thread support apron (5)	1	
	2728G02	KG 2 7 0 2 8 2	Thread support apron (7)	1	
1 1	2730C01	KC 2 7 0 3 0 1	Thread support clamp	N×1	
1 2	2727C01	KC 2 7 0 2 7 1	Support spring	N×1	
1 3			Hex. socket bolt M4×10		
1 4	2729C02	KC 2 7 0 2 9 2	Thread support block	N×1	
1 5			Hex. nut M4		
1 6			Hex. socket bolt M3×6		
1 7	2719C	KC 2 7 0 1 9 0	Solenoid stay	1	
1 8	2701C	KC 2 7 0 0 1 0	Drive shaft lower metal	1	
1 9	2722C02	KC 2 7 0 2 2 2	Holder base	1	
2 0	2765C	KC 2 7 0 6 5 0	Thread support slider CMP	1	
2 1	2740C01	KC 2 7 0 4 0 1	Thread support lever spring	1	
2 2	2703C	KC 2 7 0 0 3 0	Slide base	1	
2 3	2705C	KC 2 7 0 0 5 0	Lever pin	1	
2 4			Hex. socket bolt M3×10		
2 5	2706C	KC 2 7 0 0 6 0	Lever	1	
2 6	912C7	A 9 0 1 2 1 2 7	E-ring (φ3)	3	
2 7	2707C	KC 2 7 0 0 7 0	Rod pin	2	
2 8	2718C	KC 2 7 0 1 8 0	Plate rod	1	
2 9	91258	A 9 0 1 2 0 5 8	E-ring (φ2.5)	2	
3 0	2717C01	KC 2 7 0 1 7 1	Second lever	1	
3 1	2708C	KC 2 7 0 0 8 0	Second lever pin	1	
3 2			Hex. socket bolt M3×12		
3 3			Hex. nut M3		
3 4			Flush screw M4×8		
3 5	2710C01	KC 2 7 0 1 0 1	Solenoid pin	1	
3 6	95613	A 9 0 5 6 0 1 3	Keep solenoid TDS-K10SL (SP plunger)	1	
3 7	2715N00	KN 2 7 1 8 5 0	Lever connecting plate	1	
3 8	2714N00	KN 2 7 1 8 4 0	Thread support lever	2	
3 9			Hex. socket set screw M3×5		
4 0	2733C01	KC 2 7 0 3 3 1	Thread support base	1	
4 1	2737C	KC 2 7 0 3 7 0	Stopper rubber	1	
4 2	95607	A 9 0 5 6 0 0 7	Rotary solenoid (4ER67.5-34×3×8×9)	1	
4 3	2736C	KC 2 7 0 3 6 0	Stopper base	1	
4 4	2770C	KC 2 7 0 7 0 C	Switch stay	1	

From the library of: Diamond Needle Corp

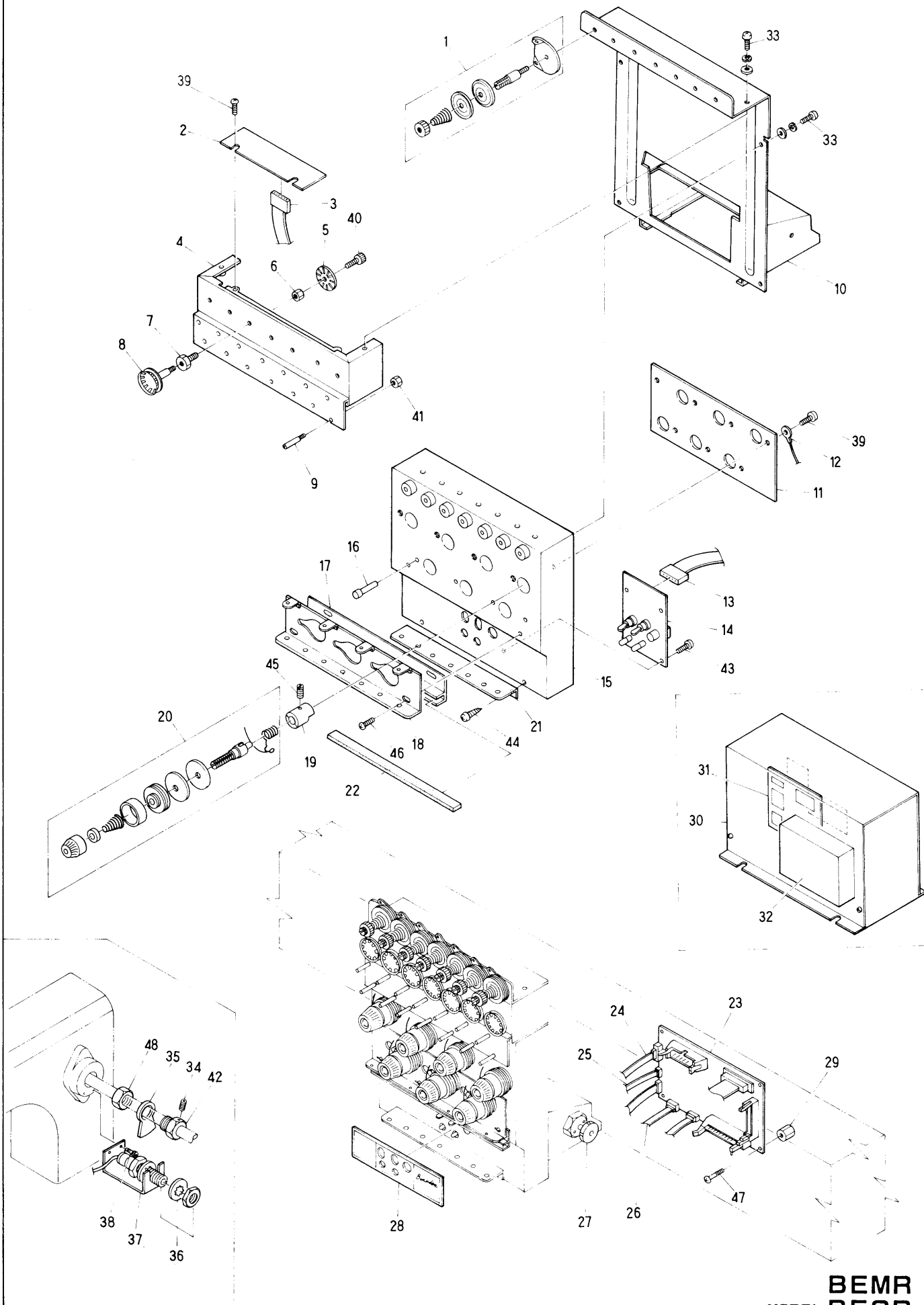
Barudan

⑮ Thread cutting drive mechanism III <BEMR>



From the library of: Diamond Needle Corp

MODEL
BEMR
BESR
BEX



From the library of: Diamond Needle Corp

MODEL **BEMR**
BESR
BEX

⑩ Under thread cut sensorium mechanism

N=needle Q'ty

ITEM	PART No.	LIST No.	DESCRIPTION	Q'TY	REMARK
1	24A3G	KG 2 4 1 0 3 0	Upper tension unit complete	N×1	
2	5464N00	KN 5 4 0 6 4 0	P.C board BAP-302-7 (7)	1	
	5463N00	KN 5 4 0 6 3 0	P.C board BAP-302-5 (5)	1	
3	5471N00	KN 5 4 0 7 1 0	Sensor cable 2	1	
4	5454N00	KN 5 4 0 5 4 0	Lower thread sensorium box (7)	1	
	5453N00	KN 5 4 0 5 3 0	Lower thread sensorium box (5)	1	
5	5452N00	KN 5 4 0 5 2 0	Lower thread sensorium sensor disk	7	
6	5451N00	KN 5 4 0 5 1 0	Tension wheel nut M2	7	
7	5461N00	KN 5 4 0 6 1 0	Wheel shaft metal	7	
8	5450N00	KN 5 4 0 5 0 0	Tension wheel shaft assy	7	
9	5459N00	KN 5 4 0 5 9 0	Thread guide pin	1 4	
1 0	5456N00	KN 5 4 0 5 6 0	Tension base (7)	1	
	5455N00	KN 5 4 0 5 5 0	Tension base (5)	1	
1 1	24D8P01	HP 2 4 1 3 8 1	Tension earth plate (7)	1	
	24D7P01	HP 2 4 1 3 7 1	Tension earth plate (5)	1	
1 2	24D9P00	HP 2 4 1 3 9 0	Tension earth cable	1	
1 3	5472N00	KN 5 4 0 7 2 0	Switch cable 3	1	
1 4	5465N00	KN 5 4 0 6 5 0	P.C board BAP-303	1	
1 5	5458N00	KN 5 4 0 5 8 0	Tension base (7)	1	
	5457N00	KN 5 4 0 5 7 0	Tension base (5)	1	
1 6	24B6P00	HP 2 4 1 1 6 0	Upper thread sensorium pin	7	
1 7	24E6P00	HP 2 4 1 4 6 0	Thread guid felt fixing plate	1	
1 8	24B8P00	HP 2 4 1 1 8 0	First thread guide	1	
1 9	24B5P00	HP 2 4 1 1 5 0	Base (with screw)	7	
2 0	5476N00	KN 5 4 0 7 6 0	Dial type tension unit complete	7	
2 1	24C0P00	HP 2 4 1 2 0 0	Second thread guide plate (7)	1	
	24B9P00	HP 2 4 1 1 9 0	Second thread guide plate (5)	1	
2 2	24E8P00	HP 2 4 1 4 8 0	Thread guide felt (7)	1	
	24E7P00	HP 2 4 1 4 7 0	Thread guide felt (5)	1	
2 3	5462N00	KN 5 4 0 6 2 0	P.C board BAP-301	1	
2 4	5475N00	KN 5 4 0 7 5 0	Thread cut cable	1	
2 5	5473N00	KN 5 4 0 7 3 0	Jamp cable 4	2	
2 6	5470N00	KN 5 4 0 7 0 0	Cable 1	2	
2 7	2403F	KN 2 4 0 0 3 0	Cancelling pin assy	1	
2 8	5478N00	KN 5 4 0 7 8 0	Tension base label	1	
2 9	5460N00	KN 5 4 0 6 0 0	Board fixing nut	4	
3 0	5466N00	KN 5 4 0 6 6 0	Contorol box	1	
3 1	5481N00	KN 5 4 0 8 1 0	P.C board BAP-304	1	
3 2	5482N00	KN 5 4 0 8 2 0	Power box K50-12	1	
3 3			Pan screw M4×8		
3 4			Hex. socket set screw M6×6		
3 5	5416F	KF 5 4 0 1 6 0	Lower thread sensorium plate	1	
3 6	5467N00	KN 5 4 0 6 7 0	Lower thread sensorium timing sensor E2E-×5E2	1	
3 7	5414F	KF 5 4 0 1 4 0	Lower thread timing sensor bracket	1	
3 8			Hex. socket bolt M6×40		

From the library of: Diamond Needle Corp

I N D E X

L I S T No.	PART No.	PAGENO.	ITEM	L I S T No.	PART No.	PAGENO.	ITEM
1 H P 1 2 3 0 0	7A05PR3	3 7	1	A 9 0 6 5 0 2 8	96528	4 3	2 7
1 L K C 4 5 0 0 2 0	7380C	2 5	1 3	A 9 0 6 5 0 2 8	96528	4 5	3 7
A 9 0 1 0 0 0 3	91003	1 9	5 0	E A Y 0 0 9 A 1	51J2CA1	3 3	1
A 9 0 1 0 0 0 3	91003	2 1	5 0	E A Y 0 0 9 A 2	51J2CA2	3 3	2 1
A 9 0 1 0 0 0 9	91009	1 1	1 4	E A Y 0 0 9 A 3	51J2CA3	3 3	2 0
A 9 0 1 0 0 0 9	91009	1 3	1 4	E A Y 0 1 0 A 2	51L2CA2	3 3	2 1
A 9 0 1 0 0 1 1	91011	9	5 4	E A Y 0 1 0 A 3	51L2CA3	3 3	2 0
A 9 0 1 1 0 1 7	91117	1 9	4	E A Y 0 1 1 A 1	51J3CA1	3 5	1
A 9 0 1 1 0 1 7	91117	2 1	4	E A Y 0 1 1 A 2	51J3CA2	3 5	4
A 9 0 1 1 0 2 1	91121	9	2 2	E A Y 0 1 1 A 3	51J3CA3	3 5	2 0
A 9 0 1 1 0 2 2	91122	9	2 3	E A Y 0 1 2 A 2	51L3CA2	3 5	4
A 9 0 1 1 0 2 3	91123	9	2 1	E A Y 0 1 2 A 3	51L3CA3	3 5	2 0
A 9 0 1 1 0 2 8	91128	2 5	1 1	E A Y 0 1 7 A 1	51G3NA1	3 1	2 5
A 9 0 1 1 0 6 3	91163	2 7	1 1	E A Y 0 1 7 A 2	51G3NA2	3 1	2 6
A 9 0 1 1 0 6 3	91163	2 9	1 6	E A Y 0 1 7 A 3	51G3NA3	3 1	2 2
A 9 0 1 2 0 0 1	91201	2 3	3 9	E A Y 0 1 8 A 3	51G4NA3	3 1	2 2
A 9 0 1 2 0 0 2	91202	2 3	4 0	E B E 0 0 0 1 0	55N0000	4 5	3 8
A 9 0 1 2 0 0 2	91202	4 3	3 0	E B Y 0 0 0 6 0	55C0050	3 3	4
A 9 0 1 2 0 0 2	91202	4 5	3 0	E B Y 0 0 0 8 0	55C0070	3 3	2 2
A 9 0 1 2 0 0 3	91203	9	5 9	E B Y 0 0 0 8 0	55C0070	3 5	7
A 9 0 1 2 0 0 5	91205	9	5 9	E B Y 0 0 0 9 0	55C0080	3 3	3
A 9 0 1 2 0 0 7	91207	7	1	E B Y 0 0 1 1 0	55C0110	3 3	9
A 9 0 1 2 0 5 2	91252	2 7	2 0	E B Y 0 0 1 1 0	55C0110	3 5	5
A 9 0 1 2 0 5 2	91252	2 9	5 2	E B Y 0 0 1 5 0	55C0150	1 5	6
A 9 0 1 2 0 5 8	91258	4 1	2 9	E B Y 0 0 1 5 0	55C0150	1 7	8
A 9 0 1 2 0 6 6	91266	1 9	1 7	E B Y 0 0 1 8 0	55C0180	2 3	6
A 9 0 1 2 1 2 7	912C7	4 1	2 6	E B Y 0 0 1 9 0	55C0190	3 3	2
A 9 0 1 2 1 3 7	912D7	2 3	5 0	E B Y 0 0 2 6 0	55Y0020	3 5	9
A 9 0 1 2 1 4 3	912E3	2 3	4 7	E B Y 0 0 2 7 0	55Y0030	3 5	1 0
A 9 0 1 2 2 0 3	912K3	2 3	3 4	E B Y 0 0 2 9 0	55N0040	3 3	7
A 9 0 1 4 0 2 2	91422	9	5 5	E B Y 0 0 3 0 0	55N0050	3 3	7
A 9 0 2 0 0 2 7	92027	1 9	5 1	E B Y 0 0 3 1 0	55N0060	3 3	6
A 9 0 2 0 0 2 7	92027	2 1	5 5	E B Y 0 0 3 2 0	55N0070	3 3	8
A 9 0 2 0 0 9 8	92098	2 7	7	E B Y 0 0 3 4 0	55Y0050	3 5	2
A 9 0 2 0 0 9 8	92098	2 9	3 3	E B Y 0 0 3 5 0	55Y0060	3 5	3
A 9 0 5 1 0 0 3	95103	4 5	3 4	E B Y 0 0 4 1 0	55N0090	3 3	5
A 9 0 5 2 0 0 2	95202	4 1	4 5	E B Y 0 0 4 5 0	55R0000	3 1	1
A 9 0 5 2 0 0 5	95205	4 5	1 6	E B Y 0 0 4 6 0	55R0010	3 1	2
A 9 0 5 2 0 0 6	95206	4 3	2 2	E B Y 0 0 4 7 0	55R0020	3 1	3
A 9 0 5 2 0 0 6	95206	4 5	2 2	E B Y 0 0 4 8 0	55R0030	3 1	4
A 9 0 5 3 0 3 3	95333	2 7	3 0	E B Y 0 0 4 9 0	55R0040	3 1	5
A 9 0 5 3 0 3 3	95333	2 9	9	E B Y 0 0 5 1 0	55R0060	3 1	1 1
A 9 0 5 6 0 0 7	95607	4 1	4 2	E B Y 0 0 5 2 0	55R0070	3 1	1 0
A 9 0 5 6 0 1 0	95610	3 9	2 7	E B Y 0 0 5 3 0	55R0080	3 1	8
A 9 0 5 6 0 1 3	95613	4 1	3 6	E B Y 0 0 5 4 0	55R0090	3 1	7

I N D E X

L I S T No.	PART No.	PAGENO.	ITEM	L I S T No.	PART No.	PAGENO.	ITEM
EBY 0 0 5 5 0	55R0100	3 1	9	HP 2 4 1 1 8 0	24B8P00	4 7	1 8
EBY 0 0 5 6 0	55R0110	3 1	1 2	HP 2 4 1 1 9 0	24B9P00	1 5	7
EBY 0 0 5 7 0	55R0120	3 1	6	HP 2 4 1 1 9 0	24B9P00	4 7	2 1
EBY 0 0 5 9 0	55N0130	3 5	1 1	HP 2 4 1 2 0 0	24C0P00	1 5	7
EBY 0 0 6 3 0	55R0140	3 1	2 1	HP 2 4 1 2 0 0	24C0P00	4 7	2 1
EBY 0 0 6 4 0	55Y0100	3 5	9	HP 2 4 1 2 1 0	24C1P00	1 1	1 8
EBY 0 5 0 0	55R0050	3 1	2 4	HP 2 4 1 3 7 1	24D7P01	1 5	4
HH 1 2 0 9 0 0	1290H	3 7	7	HP 2 4 1 3 7 1	24D7P01	4 7	1 1
HH 3 2 0 5 5 0	3255H	1 9	2 5	HP 2 4 1 3 8 1	24D8P01	1 5	4
HH 3 2 0 5 5 0	3255H	2 1	2 5	HP 2 4 1 3 8 1	24D8P01	4 7	1 1
HH 3 3 0 7 6 0	3376H	4 3	3 1	HP 2 4 1 3 9 0	24D9P00	1 5	5
HH 3 3 0 7 6 0	3376H	4 5	3 1	HP 2 4 1 3 9 0	24D9P00	4 7	1 2
HH 4 7 0 0 8 0	4708H	2 5	1 0	HP 2 4 1 4 0 0	24E0P00	1 5	1 3
HH 4 8 1 9 0 0	48J0H	2 7	2 3	HP 2 4 1 4 1 0	24E1P00	1 5	1 2
HH 4 8 1 9 0 0	48J0H	2 9	2	HP 2 4 1 4 5 0	24E5P00	1 5	8
HH 4 8 1 9 3 1	48J3H01	2 7	2 2	HP 2 4 1 4 6 0	24E6P00	1 5	8
HH 4 8 1 9 3 1	48J3H01	2 9	6	HP 2 4 1 4 6 0	24E6P00	4 7	1 7
HH 4 8 1 9 7 0	48J7H	2 7	1 3	HP 2 4 1 4 7 0	24E7P00	1 5	1 0
HH 4 8 1 9 7 0	48J7H	2 9	1 7	HP 2 4 1 4 7 0	24E7P00	4 7	2 2
HH 4 8 1 9 8 0	48J8H	2 7	9	HP 2 4 1 4 8 0	24E8P00	1 5	1 0
HH 4 8 1 9 9 1	48J9H01	2 7	1 7	HP 2 4 1 4 8 0	24E8P00	4 7	2 2
HH 4 8 1 9 9 1	48J9H01	2 9	4 7	HP 2 5 0 0 5 0	2505P00	1 5	1 7
HH 4 8 2 1 1 0	48L1H	2 7	1 8	HP 2 5 0 0 7 0	2507P00	1 7	1 0
HH 4 8 2 1 1 0	48L1H	2 9	4 8	HP 2 5 0 5 8 1	2558P01	1 5	1 6
HP 2 3 1 2 9 0	23C9P00	9	2 9	HP 2 5 0 5 8 1	2558P01	1 7	1 2
HP 2 3 1 3 0 0	23D0P00	9	2 7	HP 2 5 0 6 2 0	2562P00	1 5	1 4
HP 2 3 1 3 1 0	23D1P00	9	2 4	HP 2 5 0 6 8 0	2568P00	1 7	1 3
HP 2 3 1 3 3 0	23D3P00	1 1	5	HP 3 1 3 4 0 1	31Y0P01	2 1	5 3
HP 2 3 1 3 3 0	23D3P00	1 3	5	HP 3 1 4 6 3 1	31DZP01	1 9	4 4
HP 2 3 1 3 4 0	23D4P00	9	5 7	HP 3 1 4 6 7 0	31EDP00	1 9	9
HP 2 3 1 3 7 0	23D7P00	9	2 6	HP 3 1 4 6 7 0	31EDP00	2 1	9
HP 2 4 0 0 2 0	2402P00	1 1	1	HP 4 6 0 8 0 0	4680P00	2 9	3 2
HP 2 4 0 0 2 0	2402P00	1 3	1	HP 4 6 0 8 1 0	4681P00	2 7	2 5
HP 2 4 0 6 3 0	2563P00	1 5	1 4	HP 4 8 2 9 4 0	48T4P00	2 7	8
HP 2 4 1 1 0 0	24B0P00	1 3	1 7	HP 4 8 2 9 4 0	48T4P00	2 9	3 4
HP 2 4 1 1 1 0	24B1P00	1 5	2	HP 4 8 2 9 5 0	48T5P00	2 7	5
HP 2 4 1 1 2 0	24B2P00	1 5	2	HP 4 8 2 9 5 0	48T5P00	2 9	3 0
HP 2 4 1 1 3 0	24B3P00	1 1	1 7	HP 4 8 2 9 8 0	48T8P00	2 7	1 9
HP 2 4 1 1 4 0	24B4P00	1 1	1 7	HP 4 8 2 9 8 0	48T8P00	2 9	5 1
HP 2 4 1 1 5 0	24B5P00	1 5	1 1	HP 4 8 2 9 9 0	48T9P00	2 7	1 0
HP 2 4 1 1 5 0	24B5P00	4 7	1 9	HP 4 8 2 9 9 0	48T9P00	2 9	1 2
HP 2 4 1 1 6 0	24B6P00	1 5	3	HP 4 8 3 1 1 1	48V1P01	2 9	2 6
HP 2 4 1 1 6 0	24B6P00	4 7	1 6	HP 4 8 3 3 7 0	48X7P00	2 7	1
HP 2 4 1 1 7 0	24B7P00	1 5	9	HP 4 8 3 3 7 0	48X7P00	2 9	2 7
HP 2 4 1 1 8 0	24B8P00	1 5	9	HP 4 8 3 3 9 0	48X9P00	2 7	2

I N D E X

L I S T No.	PART No.	PAGENO.	ITEM	L I S T No.	PART No.	PAGENO.	ITEM
HP 7 1 0 7 9 0	7179P00	3 7	3	KC 2 7 0 9 7 0	2797C	3 9	1 4
KC 0 2 0 2 2 0	5222C	3 5	6	KC 2 7 0 9 8 0	2798C	3 9	1 2
KC 1 1 0 9 1 0	1191C	5	1 7	KC 2 7 1 4 4 0	27E4C	4 3	2
KC 1 1 0 9 7 0	1197C	3 7	8	KC 2 7 1 4 4 0	27E4C	4 5	2
KC 1 2 0 8 1 0	1281C	5	1 0	KC 2 7 1 4 7 0	27E7C	4 5	4 0
KC 1 2 0 8 3 0	1283C	5	8	KC 2 7 1 4 8 0	27E8C	4 1	4 9
KC 1 2 0 8 4 1	1284C01	5	9	KC 3 1 0 1 1 0	3111C	2 1	5 4
KC 1 2 0 8 6 0	1286C	5	2	KC 3 1 0 1 2 0	3112C	2 1	4 3
KC 1 4 0 3 3 0	1433C	5	6	KC 3 1 2 0 1 2	31K1C02	5	1 8
KC 2 2 0 2 1 0	2221C	7	1 8	KC 3 1 2 1 9 0	31L9C	1 9	1 6
KC 2 3 0 2 2 0	2322C	9	3 3	KC 3 1 2 1 9 0	31L9C	2 1	5 1
KC 2 4 0 1 2 0	2412C	1 7	2	KC 3 1 2 2 1 0	31M1C	1 9	4 8
KC 2 5 0 1 6 1	2516C01	7	4 3	KC 3 1 2 2 1 0	31M1C	2 1	4 8
KC 2 5 1 2 2 0	25D2C00	7	4 5	KC 3 1 2 8 0 0	31S0C	2 1	1 6
KC 2 5 1 2 3 0	25D3C00	7	4 4	KC 3 1 2 8 5 1	31S5C01	1 9	1 2
KC 2 5 1 3 5 0	25D5C00	7	4 2	KC 3 1 2 8 5 1	31S5C01	2 1	1 2
KC 2 7 0 0 1 0	2701C	4 1	1 8	KC 3 1 2 8 9 0	31S9C	1 9	2 9
KC 2 7 0 0 3 0	2703C	4 1	2 2	KC 3 1 2 8 9 0	31S9C	2 1	2 9
KC 2 7 0 0 5 0	2705C	4 1	2 3	KC 3 1 2 9 1 1	31T1C01	1 9	2 0
KC 2 7 0 0 6 0	2706C	4 1	2 5	KC 3 1 2 9 1 1	31T1C01	2 1	2 0
KC 2 7 0 0 7 0	2707C	4 1	2 7	KC 3 1 2 9 2 1	31T2C01	1 9	3 1
KC 2 7 0 0 8 0	2708C	4 1	3 1	KC 3 1 2 9 2 1	31T2C01	2 1	3 1
KC 2 7 0 1 0 1	2710C01	4 1	3 5	KC 3 2 0 1 1 1	3211C01	1 9	4 0
KC 2 7 0 1 1 0	2711C	4 1	5 3	KC 3 2 0 1 1 1	3211C01	2 1	4 0
KC 2 7 0 1 7 1	2717C01	4 1	3 0	KC 3 2 0 5 9 0	3259C	1 9	2 6
KC 2 7 0 1 8 0	2718C	4 1	2 8	KC 3 2 0 5 9 0	3259C	2 1	2 6
KC 2 7 0 1 9 0	2719C	4 1	1 7	KC 3 3 0 1 4 0	3314C	2 3	3 5
KC 2 7 0 2 2 2	2722C02	4 1	1 9	KC 3 3 0 1 6 0	3316C	2 3	9
KC 2 7 0 2 7 1	2727C01	4 1	1 2	KC 3 3 0 1 7 0	3317C	2 3	3
KC 2 7 0 2 8 3	2728C03	4 1	1 0	KC 3 3 0 1 8 0	3318C	2 3	1 0
KC 2 7 0 2 9 2	2729C02	4 1	1 4	KC 3 3 0 1 8 0	3318C	4 3	3
KC 2 7 0 3 0 1	2730C01	4 1	1 1	KC 3 3 0 1 8 0	3318C	4 5	3
KC 2 7 0 3 3 1	2733C01	4 1	4 0	KC 3 3 0 1 9 0	3319C	2 3	8
KC 2 7 0 3 4 1	2734C01	4 1	5 2	KC 3 3 0 2 1 0	3321C	2 3	2 5
KC 2 7 0 3 5 1	2735C01	4 1	4 7	KC 3 3 0 2 3 0	3323C	2 3	4 8
KC 2 7 0 3 6 0	2736C	4 1	4 3	KC 3 3 0 2 6 0	3326C	2 3	3 1
KC 2 7 0 3 7 0	2737C	4 1	4 1	KC 3 3 0 2 8 0	3328C	2 3	2
KC 2 7 0 4 0 1	2740C01	4 1	2 1	KC 3 3 0 2 9 0	3329C	2 3	5 2
KC 2 7 0 6 5 0	2765C	4 1	2 0	KC 3 3 0 3 1 0	3313C	2 3	7
KC 2 7 0 7 0 C	2770C	4 1	4 4	KC 3 3 0 4 1 0	3341C	9	1 5
KC 2 7 0 7 2 0	2772C	4 1	6	KC 3 3 0 4 1 0	3341C	4 3	2 5
KC 2 7 0 7 6 1	2776C01	4 1	5 5	KC 3 3 0 4 1 0	3341C	4 5	3 3
KC 2 7 0 7 8 0	2778C	4 1	2	KC 3 3 0 5 1 0	3351C	2 3	3 8
KC 2 7 0 9 5 0	2795C	3 9	1 3	KC 3 3 0 6 1 0	3361C	2 3	2 1
KC 2 7 0 9 6 0	2796C	3 9	1 1	KC 3 3 0 8 1 0	3381C	2 3	2 7

I N D E X

L I S T No.	PART No.	PAGENO.	ITEM	L I S T No.	PART No.	PAGENO.	ITEM
KC 3 3 0 8 5 0	3385C	2 3	4 3	KF 2 2 0 4 7 0	2247F	7	2 5
KC 3 3 0 9 1 0	3391C	2 3	3 2	KF 2 2 0 4 8 0	2248F	7	2 6
KC 4 5 0 0 2 0	4502C	2 5	1	KF 2 2 0 5 1 0	2251F	7	3 8
KC 4 5 0 4 7 0	4547C	2 7	2 8	KF 2 2 0 7 8 0	2278F	7	3 5
KC 4 5 0 4 7 0	4547C	2 9	4 2	KF 2 3 0 0 1 0	2301F	9	4 1
KC 4 7 0 4 6 0	4746C	2 9	2 0	KF 2 3 0 1 2 0	2312F	9	5 3
KC 4 8 0 1 5 0	4815C	2 5	8	KF 2 3 0 1 5 0	2315F	9	4 0
KC 4 8 0 1 6 0	4816C	2 5	7	KF 2 3 0 1 5 0	2315F	2 3	2 2
KC 4 8 0 3 5 0	4835C	2 5	1 5	KF 2 3 0 1 8 0	2318F	9	4 2
KC 5 2 0 0 2 0	5202C	3 1	1 9	KF 2 3 0 2 1 0	2321F	9	4 4
KC 5 2 0 0 2 0	5202C	3 3	1 7	KF 2 3 0 2 2 0	2322F	9	3 3
KC 5 2 0 0 2 0	5202C	3 5	1 8	KF 2 3 0 2 3 0	2323F	9	5 0
KC 5 2 0 2 2 0	5222C	3 1	2 3	KF 2 3 0 2 4 0	2324F	9	5 1
KC 5 2 0 2 2 0	5222C	3 3	1 0	KF 2 3 0 2 5 0	2325F	9	5 2
KC 5 3 0 2 3 0	5323C00	3 1	1 6	KF 2 3 0 3 1 0	2331F	9	1
KC 5 3 0 2 3 0	5323C00	3 3	1 4	KF 2 3 0 3 2 0	2332F	9	2
KC 5 3 0 2 3 0	5323C00	3 5	1 5	KF 2 3 0 3 3 0	2333F	9	5 6
KC 5 3 0 2 4 0	5324C00	3 1	1 4	KF 2 3 0 3 5 0	2335F	2 3	1 8
KC 5 3 0 2 4 0	5324C00	3 3	1 2	KF 2 3 0 3 6 0	2336F	2 3	1 7
KC 5 3 0 2 4 0	5324C00	3 5	1 3	KF 2 3 0 4 2 0	2342F	7	3
K C 3 1 2 2 2 0 0	31MOC	1 9	4 9	KF 2 3 0 4 5 0	2345F	9	2 8
K C 3 1 2 2 2 0 0	31MOC	2 1	4 9	KF 2 3 0 4 8 0	2348F	9	3 0
K C 3 2 0 3 1 0 3 0 0	3231C	1 9	4 1	KF 2 3 0 5 0 0	2350F	9	3 6
K C 3 2 0 3 1 0 3 0 0	3231C	2 1	4 1	KF 2 3 0 5 1 2	2351F02	9	3
K C 3 2 0 9 3 0 5 7 0	3293C	1 9	2 4	KF 2 3 0 5 2 1	2352F01	9	4
K C 3 2 0 9 3 0 5 7 0	3293C	2 1	2 4	KF 2 3 0 5 8 0	2358F	9	3 7
K C 3 3 0 3 1 0 3 0 0	3331C	9	5 8	KF 2 3 0 5 8 0	2358F	4 1	9
KC13019123035	1319C	5	1 5	KF 2 3 0 6 3 0	2363F	9	1 0
KF 2 2 0 1 2 0	2212F	7	1 3	KF 2 3 0 6 3 0	2363F	2 3	4 9
KF 2 2 0 1 3 0	2213F	7	1 5	KF 2 3 0 6 4 0	2364F	9	1 2
KF 2 2 0 1 4 0	2214F	7	5	KF 2 3 0 6 4 0	2364F	3 9	2 5
KF 2 2 0 1 5 0	2215F	7	1 6	KF 2 3 0 6 5 0	2365F	9	9
KF 2 2 0 1 6 0	2216F	7	9	KF 2 3 0 6 6 1	2366F01	9	1 9
KF 2 2 0 1 8 0	2218F	7	1 0	KF 2 3 0 6 7 0	2367F	9	2 0
KF 2 2 0 1 9 0	2219F	7	1 7	KF 2 3 0 9 1 0	2391F	9	4 8
KF 2 2 0 2 2 0	2222F	7	2 7	KF 2 3 0 9 2 0	2392F	9	4 5
KF 2 2 0 2 3 0	2223F	7	2 4	KF 2 3 0 9 3 0	2393F	9	4 9
KF 2 2 0 2 4 0	2224F	7	2 2	KF 2 4 0 0 3 0	2403F	1 1	1 9
KF 2 2 0 2 5 0	2225F	7	2 3	KF 2 4 0 0 3 0	2403F	1 3	1 9
KF 2 2 0 2 7 0	2227F	7	3 1	KF 2 4 0 0 4 0	2404F	1 7	3
KF 2 2 0 2 9 0	2229F	7	2 8	KF 2 4 0 0 6 0	2406F	1 7	1
KF 2 2 0 4 1 0	2241F	7	3 4	KF 2 4 0 0 8 0	2408F	1 7	9
KF 2 2 0 4 4 0	2244F00	7	3 3	KF 2 4 0 1 8 0	2418F00	1 1	2
KF 2 2 0 4 5 0	2245F	7	1 9	KF 2 4 0 1 8 0	2418F00	1 3	2
KF 2 2 0 4 6 0	2246F	7	2 0	KF 2 4 0 2 0 0	2420F00	1 1	3

I N D E X

L I S T No.	PART No.	PAGENO.	ITEM	L I S T No.	PART No.	PAGENO.	ITEM
K F 2 4 0 2 0 0	2420F00	1 3	3	K F 5 3 0 1 6 0	5316F	3 3	1 1
K F 2 4 0 3 9 0	2439F	1 7	6	K F 5 3 0 1 6 0	5316F	3 5	1 2
K F 2 4 0 4 2 0	2442F	1 1	7	K F 5 3 0 1 7 0	5317F	3 1	2 7
K F 2 4 0 4 2 0	2442F	1 3	7	K F 5 3 0 1 7 0	5317F	3 3	1 9
K F 2 4 0 4 5 0	2445F	1 1	4	K F 5 3 0 1 7 0	5317F	3 5	8
K F 2 4 0 4 5 0	2445F	1 3	4	K F 5 4 0 1 4 0	5414F	4 7	3 7
K F 2 4 0 4 6 0	2446F	1 1	1 6	K F 5 4 0 1 6 0	5416F	4 7	3 5
K F 2 4 0 4 6 0	2446F	1 3	1 6	K F 5 4 0 1 7 0	5417F	4 7	4 2
K F 2 4 0 4 7 0	2447F	1 1	1 5	K F 5 4 0 1 8 0	5418F	4 7	4 8
K F 2 4 0 4 7 0	2447F	1 3	1 5	K F 7 1 0 2 8 0	7128F	3 7	9
K F 2 4 0 4 8 0	2448F	1 1	1 2	K F 7 1 0 3 0 0	7130F	3 7	5
K F 2 4 0 4 8 0	2448F	1 3	1 2	K F 7 3 0 7 9 0	7379F	2 5	1 4
K F 2 4 0 4 9 0	2449F	1 1	1 1	K G 2 3 0 0 2 0	2302G	9	4 3
K F 2 4 0 4 9 0	2449F	1 3	1 1	K G 2 3 0 2 2 0	2322G	9	3 3
K F 2 4 0 6 1 0	2461F	1 1	6	K G 2 3 0 3 4 0	2334G	9	3 1
K F 2 4 0 6 1 0	2461F	1 3	6	K G 2 3 0 6 1 0	2361G	9	1 7
K F 2 4 0 9 0 0	2490F	3 7	2	K G 2 3 0 6 1 0	2361G	2 3	2 3
K F 2 4 0 9 1 0	2491F	1 7	5	K G 2 3 0 7 3 0	2373G	2 3	1 6
K F 2 4 0 9 3 1	2493F01	1 5	1 5	K G 2 4 1 0 2 0	24A2G	1 5	1
K F 2 4 0 9 3 1	2493F01	1 7	1 1	K G 2 4 1 0 3 0	24A3G	4 7	1
K F 2 4 1 6 0 0	24G0F00	1 5	2 5	K G 2 4 1 0 3 1	24A3G01	3 7	4
K F 2 4 1 6 1 0	24G1F00	1 5	2 5	K G 2 5 0 0 1 0	2501G	1 5	1 7
K F 2 4 1 6 2 0	24G2F00	1 7	1 8	K G 2 7 0 2 8 2	2728G02	4 1	1 0
K F 2 5 0 1 1 0	2511F	7	1 2	K G 2 7 0 3 1 0	2731G	4 1	7
K F 3 2 0 0 4 0	3204F	1 9	3 4	K G 2 7 0 7 6 0	2776G	4 1	5 5
K F 3 2 0 0 4 0	3204F	2 1	3 4	K G 2 7 1 5 1 0	27F1G	4 1	5 4
K F 3 2 0 0 5 0	3205F	1 9	3 4	K G 3 3 0 1 5 0	3315G	2 3	1 2
K F 3 2 0 0 5 0	3205F	2 1	3 4	K G 3 3 0 2 2 0	3322G	2 3	1 4
K F 3 2 0 5 1 0	3251F	1 9	3 6	K G 7 1 0 1 6 1	7116G01	3 7	6
K F 3 2 0 5 1 0	3251F	2 1	3 6	K N 1 1 1 2 0 1	11C0N01	1 9	5 2
K F 3 2 0 5 2 0	3252F	1 9	3 7	K N 1 4 0 9 5 0	1495N00	5	7
K F 3 2 0 5 2 0	3252F	2 1	3 7	K N 1 5 0 1 8 1	1518N01	5	1 3
K F 3 2 0 9 1 0	3291F	1 9	4 2	K N 1 5 0 5 2 3	1552N03	5	1
K F 3 2 0 9 1 0	3291F	2 1	4 2	K N 1 6 0 5 2 0	1652N00	5	1 4
K F 3 3 0 3 8 1	3338F01	9	1 4	K N 2 2 0 1 1 0	2211N00	7	8
K F 5 3 0 1 1 1	5311F01	3 1	1 5	K N 2 3 0 4 1 0	2341N00	7	4
K F 5 3 0 1 1 1	5311F01	3 3	1 3	K N 2 3 0 4 3 0	2343N00	7	2
K F 5 3 0 1 1 1	5311F01	3 5	1 4	K N 2 3 1 6 7 1	23G7N01	9	4 6
K F 5 3 0 1 2 0	5312F	3 1	1 5	K N 2 3 1 7 0 0	23H0N00	9	4 7
K F 5 3 0 1 2 0	5312F	3 3	1 3	K N 2 3 1 7 1 1	23H1N01	9	3 9
K F 5 3 0 1 2 0	5312F	3 5	1 4	K N 2 3 1 7 2 1	23H2N01	9	3 9
K F 5 3 0 1 5 0	5315F	3 1	1 7	K N 2 3 1 7 3 1	23H3N01	9	3 9
K F 5 3 0 1 5 0	5315F	3 3	1 5	K N 2 4 0 0 3 0	2403F	4 7	2 7
K F 5 3 0 1 5 0	5315F	3 5	1 6	K N 2 5 0 1 3 1	2513N01	3 9	8
K F 5 3 0 1 6 0	5316F	3 1	1 3	K N 2 5 0 9 0 0	2590F00	7	4 1

I N D E X

L I S T No.	PART No.	PAGENO.	ITEM	L I S T No.	PART No.	PAGENO.	ITEM
KN 2 5 0 9 1 0	2591N00	7	4 0	KN 3 1 2 9 4 0	31T4N00	1 9	7
KN 2 7 0 1 6 0	2716N00	4 1	5	KN 3 1 2 9 4 0	31T4N00	2 1	7
KN 2 7 1 1 9 0	27B9N00	3 9	7	KN 3 1 3 5 2 0	31Z2Y00	2 1	5 3
KN 2 7 1 2 2 0	27C2N00	3 9	6	KN 3 1 3 6 7 0	31AHN00	1 9	1 1
KN 2 7 1 5 2 1	27F2N01	3 9	1	KN 3 1 3 6 7 0	31AHN00	2 1	1 1
KN 2 7 1 5 6 0	27F6N00	3 9	1 7	KN 3 1 4 5 4 0	31DQN00	1 9	2
KN 2 7 1 6 0 2	27G0N02	3 9	5	KN 3 1 4 5 4 0	31DQN00	2 1	2
KN 2 7 1 6 1 0	27G1N00	3 9	4	KN 3 1 4 5 9 1	31DVF01	2 1	4 4
KN 2 7 1 6 2 0	27G2N00	3 9	2 6	KN 3 1 4 6 0 1	31DWF01	2 1	4 4
KN 2 7 1 6 3 0	27G3N00	3 9	3 2	KN 3 1 4 6 1 0	31DXN00	2 1	4 4
KN 2 7 1 6 4 1	27G4N01	3 9	3 4	KN 3 1 4 6 2 0	31DYN00	2 1	4 4
KN 2 7 1 6 5 2	27G5N02	3 9	2 8	KN 3 1 5 1 1 0	31FVN00	1 9	4 3
KN 2 7 1 6 6 2	27G6N02	3 9	2 9	KN 3 1 5 1 3 0	31FXN00	1 9	6
KN 2 7 1 6 7 0	27G7N00	3 9	2 1	KN 3 1 5 1 3 0	31FXN00	2 1	6
KN 2 7 1 7 0 0	27H0N00	4 3	2 0	KN 3 3 0 1 1 0	3311N00	2 9	1
KN 2 7 1 7 0 0	27H0N00	4 5	2 0	KN 3 3 0 1 2 1	3312N01	2 3	2 0
KN 2 7 1 7 1 1	27H1N01	4 5	8	KN 3 3 0 2 4 0	3324Y00	2 3	4 5
KN 2 7 1 7 1 2	27H1N02	4 3	8	KN 3 3 0 2 5 0	3325Y00	2 3	4 6
KN 2 7 1 7 2 0	27H2N00	4 3	2 4	KN 3 3 2 0 1 0	33K1N00	2 3	3 7
KN 2 7 1 7 2 0	27H2N00	4 5	3 6	KN 4 5 1 0 5 0	45A5N00	2 9	4 3
KN 2 7 1 7 3 1	27H3N01	4 3	1 5	KN 4 6 0 8 2 0	4682N00	2 7	2 6
KN 2 7 1 7 3 1	27H3N01	4 5	1 5	KN 4 6 0 8 2 0	4682N00	2 9	4 0
KN 2 7 1 7 4 1	27H4N01	4 3	1 4	KN 4 6 0 8 3 0	4683N00	2 7	2 7
KN 2 7 1 7 4 1	27H4N01	4 5	1 4	KN 4 6 0 8 3 0	4683N00	2 9	3 9
KN 2 7 1 7 5 0	27H5N00	4 3	1 1	KN 4 7 0 1 5 1	4715N01	2 7	2 4
KN 2 7 1 7 5 0	27H5N00	4 5	1 1	KN 4 7 0 1 6 1	4716N01	2 9	8
KN 2 7 1 7 8 1	27H8N01	4 3	1 0	KN 4 8 0 0 6 1	4806N01	2 7	1 5
KN 2 7 1 7 8 1	27H8N01	4 5	1 0	KN 4 8 0 0 6 1	4806N01	2 9	1 9
KN 2 7 1 8 0 0	27I0N00	4 3	2 9	KN 4 8 0 4 0 0	4840N00	2 5	2
KN 2 7 1 8 0 0	27I0N00	4 5	2 9	KN 4 8 2 0 0 0	48K0N00	2 7	1 6
KN 2 7 1 8 3 0	27I3N00	4 3	2 1	KN 4 8 2 0 0 0	48K0N00	2 9	4 4
KN 2 7 1 8 3 0	27I3N00	4 5	2 1	KN 4 8 2 0 1 0	48K1N00	2 7	1 2
KN 2 7 1 8 4 0	27I4N00	4 1	3 8	KN 4 8 2 8 7 1	48S7N01	2 7	4
KN 2 7 1 8 5 0	27I5N00	4 1	3 7	KN 4 8 2 8 8 0	48S8N00	2 7	6
KN 2 7 1 9 8 0	27J8N00	3 9	2	KN 4 8 2 8 9 0	48S9N00	2 9	1 1
KN 2 7 1 9 9 0	27J9N00	4 3	9	KN 4 8 3 4 0 0	48Y0N00	2 7	2 1
KN 2 7 1 9 9 0	27J9N00	4 5	9	KN 4 8 3 4 1 0	48Y1N00	2 9	3 7
KN 2 7 2 0 0 0	27K0N00	3 9	2 3	KN 4 8 3 4 4 0	48Y4N00	2 7	3
KN 2 7 2 3 5 0	27N5N00	4 3	1 2	KN 4 8 3 4 5 0	48Y5N00	2 7	1 4
KN 2 7 2 3 5 0	27N5N00	4 5	1 2	KN 4 8 3 4 5 0	48Y5N00	2 9	3 6
KN 2 7 2 5 4 0	27P4N00	3 9	1 6	KN 4 9 0 1 2 0	4912N00	2 9	1 5
KN 3 1 2 8 1 0	31S1N00	1 9	1 8	KN 4 9 0 1 3 0	4913N00	2 9	1 4
KN 3 1 2 8 1 0	31S1N00	2 1	1 8	KN 4 9 0 1 4 0	4914N00	2 9	1 3
KN 3 1 2 8 2 0	31S2N00	1 9	2 2	KN 4 9 0 1 5 0	4915N00	2 9	4
KN 3 1 2 8 2 0	31S2N00	2 1	2 2	KN 5 1 1 0 2 0	51A2N00	1 9	2 8

